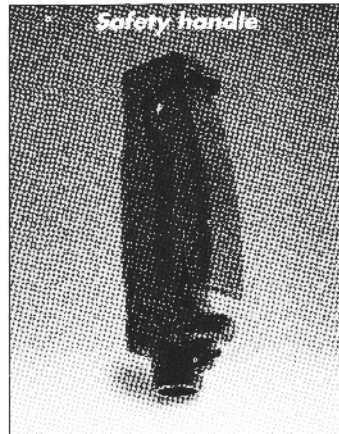


Safety handles are mainly used on the control levers of circular saws.



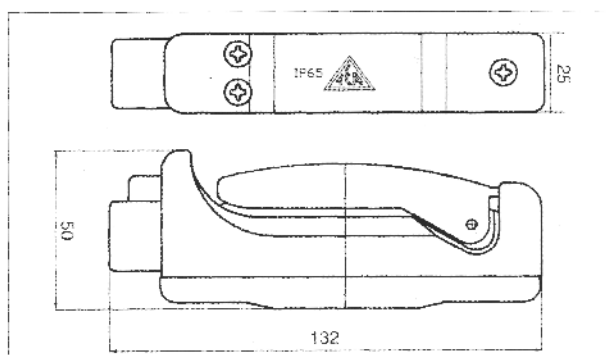
TECHNICAL DATA

Conformity to standards	CEI EN 60947-1, CEI EN 60947-5-1, CEI EN 60529, CEI EN 60204-1
Approvals	CE
Ambient temperature	Storage -40°C+70°C Operation -25°C+70°C
Protection degree	IP 65 according to CEI EN 60529
Cable entry	Threaded hole M16
Insulation category	Class II according to IEC 536

TECHNICAL DATA OF CONTACT ELEMENTS

Approvals	CE - UL - (c)UL
Rated thermal current	10 A according to CEI EN 60947-5-1
Rated insulation voltage	300 V~ according to CEI EN 60947-5-1
Mechanical life	1x10 ⁵ operations
Operational ratings	AC 15 - 3 A - 250V according to CEI EN 60947-5-1
Terminal referencing	According to CENELEC EN 50013
Short-circuit protection	10A cartridge fuses according to CEI EN 60947-5-1
Connections	Screw-type terminals with self-lifting pads
Tightening torque	1x2.5 mm ² or 2x1.5 mm ²

Overall dimensions



Code No.	Description
PF14051000	Handle without tube
PF14052000	Handle with tube