



GEARS AND PINION GEARS

FEATURES OF PINION GEARS

Pinion gears are fitted on the shafts of TER rotary limit switches, but can also be used for other applications.

They are produced to UNI ISO standards, using a technopolymer (nylon) that guarantees good resistance to extreme temperatures (-40°C / +80°C) and is suitable for applications in environments containing ozone.

Our pinion gears are made by moulding or waterjet cutting, a procedure that guarantees integrity of the material after cutting and thus improved accuracy in product profile and planarity.

In addition to our range of standard pinion gears, we can supply custom made pinion gears of any size to suit our customers' needs.

TER products comply with directive RoHS 2002/95/CE on restricted use of dangerous substances in electric and electronic devices.

FEATURES OF GEARS

Gears are mounted on TER rotary limit switches to achieve diversified reduction ratios, but they can be used for a number of applications.

They are produced to UNI standards, using technopolymer that guarantees good resistance to extreme temperatures (-40°C / +80°C) and is suitable for applications in environments containing ozone.

The gears are produced by moulding. The range includes cylindrical straight tooth or screw gears.

In addition to our range of standards gears, we can supply straight tooth gears with reduced thickness; we can also supply gears of any size made to suit the specific needs of our customers.

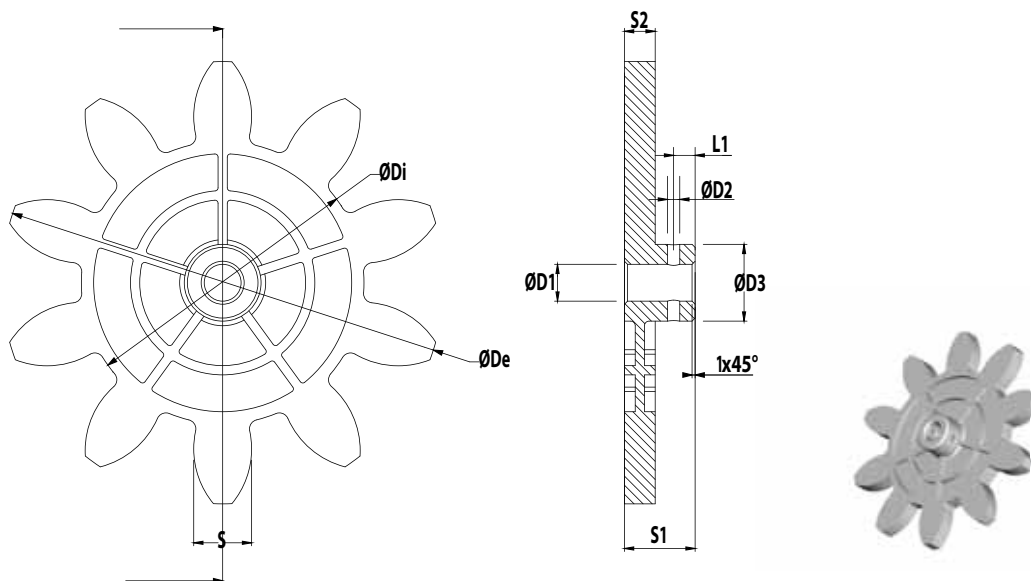
TECHNICAL SPECIFICATIONS OF PINION GEARS

- Ambient temperature: -40°C/+80°C
- Material: polyamide PA6 (Nylon)

TECHNICAL SPECIFICATIONS OF GEARS

- Ambient temperature: -40°C/+80°C
- Material: POM Acetal resin (Delrin)

STANDARD CODE AND OVERALL DIMENSIONS OF MOULDED PINION GEARS



CODE	Z	M	Dp	De	Di	a	d	S	Alpha	D1	D2	D3	S1	S2	L1
PRSL0971PI	8	2,50	20,00	25,00	14,15	2,50	2,93	3,93	20,00	8,00	2,50	14,00	18,00	8,00	4,00
PRSL0915PI	8	20,00	160,00	200,00	113,20	20,00	23,40	31,41	20,00	12,00	4,00	24,00	23,00	10,00	7,00
PRSL0964PI	9	2,50	22,50	27,50	16,25	2,50	3,13	3,93	20,00	8,00	2,50	13,50	18,00	8,00	4,00
PRSL0963PI	9	3,50	31,50	38,50	23,40	3,50	4,10	4,71	20,00	8,00	2,50	14,00	18,00	8,00	4,00
PRSL0892PI	9	5,00	45,00	56,00	36,00	5,50	4,50	9,19	20,00	8,00	2,50	16,00	18,00	8,00	4,00
PRSL0968PI	10	3,00	30,00	36,00	23,00	3,00	3,51	4,71	20,00	8,00	2,50	14,00	18,00	8,00	4,00
PRSL0912PI	10	12,00	120,00	144,00	92,00	12,00	14,00	18,85	20,00	12,00	4,00	25,00	23,00	10,00	7,00
PRSL0913PI	10	14,00	140,00	168,00	107,24	14,00	16,38	21,99	20,00	12,00	4,00	24,60	23,00	10,00	7,00
PRSL0914PI	10	16,00	160,00	192,00	122,67	16,00	18,67	25,13	20,00	12,00	4,00	24,00	23,00	10,00	7,00
PRSL0917PI	11	6,00	66,00	78,00	51,96	6,00	7,02	9,42	20,00	12,00	4,00	19,00	23,00	8,00	7,00
PRSL0916PI	12	5,00	60,00	70,00	48,30	5,00	5,83	7,85	20,00	12,00	4,00	20,00	23,00	8,00	7,00
PRSL0918PI	12	8,00	96,00	112,00	77,28	8,00	9,36	12,56	20,00	12,00	3,90	21,50	23,50	10,00	7,00
PRSL0911PI	12	10,00	120,00	140,00	96,67	10,00	11,67	15,71	20,00	12,00	4,00	25,00	23,50	10,00	7,00
PRSL0944PI	12	12,00	144,00	168,00	116,00	12,00	14,00	18,85	20,00	12,00	4,00	24,00	23,00	10,00	7,00

Measuring unit: mm

KEY	
Z	No. of teeth
M	Module
Dp	Primitive diameter
De	External diameter
Di	Internal diameter
a	Addendum
d	Dedendum
Alpha	Pressure angle

The data and the products illustrated in this brochure may be modified without notice. Under no circumstances can their description have a contractual value.



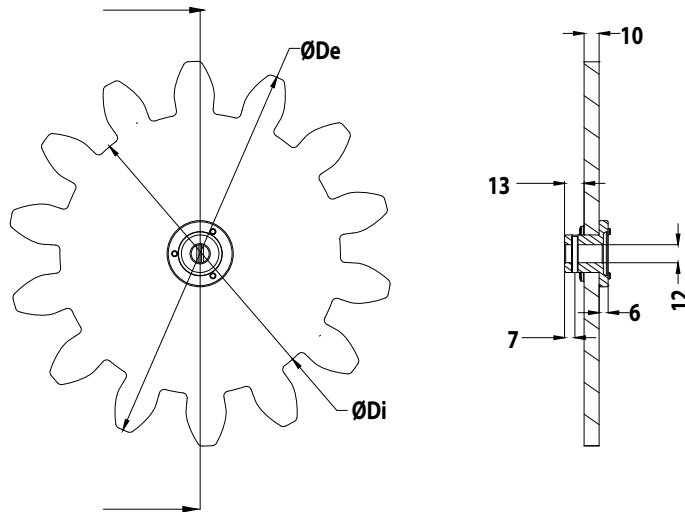
TER Tecno Elettrica Ravasi srl

Via Garibaldi 29/31 - 23885 Calco (LC) - Italy
Registered Office - via San Vigilio 2 - 23887 Olgiate Molgora (LC) - Italy
Tel. +39 0399911011 - Fax +39 0399910445 - E-mail: info@terworld.com

www.terworld.com

02042013-02

STANDARD CODE AND OVERALL DIMENSIONS OF WATERJET CUT PINION GEARS

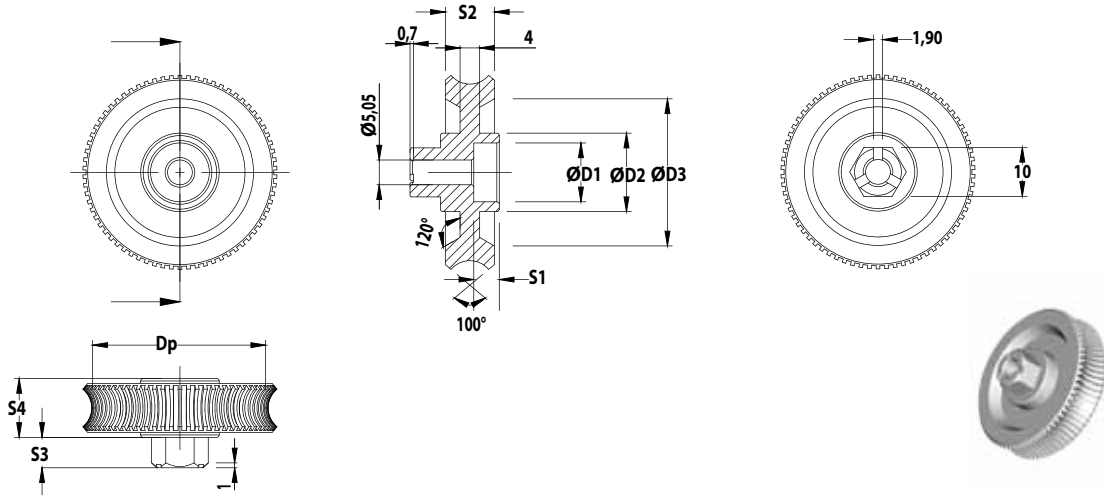


CODE	Z	M	Dp	De	Di	a	d	Alpha
PRSL0857PI	8	18,00	144,00	180,00	102,00	18,00	21,00	20,00
PRSL0855PI	8	24,00	192,00	240,00	136,00	24,00	28,00	20,00
PRSL0992PI	9	10,00	90,00	110,00	66,67	10,00	11,67	20,00
PRSL0879PI	9	16,00	144,00	176,00	106,67	16,00	18,67	20,00
PRSL0854PI	9	18,00	162,00	198,00	120,00	18,00	21,00	20,00
PRSL0871PI	9	20,00	180,00	220,00	133,33	20,00	23,33	20,00
PRSL0849PI	9	24,00	216,00	264,00	160,00	24,00	28,00	20,00
PRSL0846PI	10	10,00	100,00	120,00	76,67	10,00	11,67	20,00
PRSL0993PI	10	18,00	180,00	216,00	138,00	18,00	21,00	20,00
PRSL0970PI	10	22,00	220,00	264,00	168,52	22,00	25,74	20,00
PRSL0856PI	10	24,00	240,00	288,00	184,00	24,00	28,00	20,00
PRSL0861PI	11	12,00	132,00	156,00	104,00	12,00	14,00	20,00
PRSL0998PI	11	18,00	198,00	234,00	156,00	18,00	21,00	20,00
PRSL0997PI	11	20,00	220,00	260,00	173,36	20,00	23,32	20,00
PRSL0859PI	11	24,00	264,00	312,00	204,00	24,00	30,00	20,00
PRSL0863PI	12	14,00	168,00	196,00	133,00	14,00	17,50	20,00
PRSL0897PI	12	16,00	192,00	224,00	154,67	16,00	18,67	20,00
PRSL0972PI	12	18,00	216,00	252,00	173,88	18,00	21,06	20,00
PRSL0845PI	12	20,00	240,00	280,00	193,34	20,00	23,32	20,00
PRSL0878PI	12	24,00	288,00	336,00	232,00	24,00	28,00	20,00
PRSL0860PI	13	6,00	78,00	90,00	63,00	6,00	7,50	20,00
PRSL0853PI	13	12,00	156,00	178,59	126,00	11,29	15,00	20,00
PRSL0898PI	13	16,00	208,00	240,00	170,67	16,00	18,66	20,00
PRSL6519PI	14	6,00	84,00	96,00	69,00	6,00	7,50	20,00
PRSL0862PI	14	10,00	140,00	169,00	125,00	15,00	7,50	20,00
PRSL0896PI	14	16,00	224,00	256,00	186,67	16,00	18,67	20,00
PRSL0999PI	14	18,00	252,00	288,00	210,00	18,00	21,00	20,00
PRSL0848PI	14	20,00	280,00	320,00	233,33	20,00	23,33	20,00
PRSL0858PI	15	18,00	270,00	306,00	228,00	18,00	21,00	20,00
PRSL0847PI	16	20,00	320,00	360,00	273,33	20,00	23,33	20,00
PRSL0973PI	17	10,00	170,00	190,00	145,00	10,00	12,50	22,89
PRSL0974PI	17	14,00	238,00	266,00	203,00	14,00	17,50	22,89
PRSL0851PI	20	6,00	120,00	132,00	105,00	6,00	7,50	22,89
PRSL0844PI	25	1,00	25,00	27,00	22,50	1,00	1,25	22,89

KEY	
Z	No. of teeth
M	Module
Dp	Primitive diameter
De	External diameter
Di	Internal diameter
a	Addendum
d	Dedendum
Alpha	Pressure angle

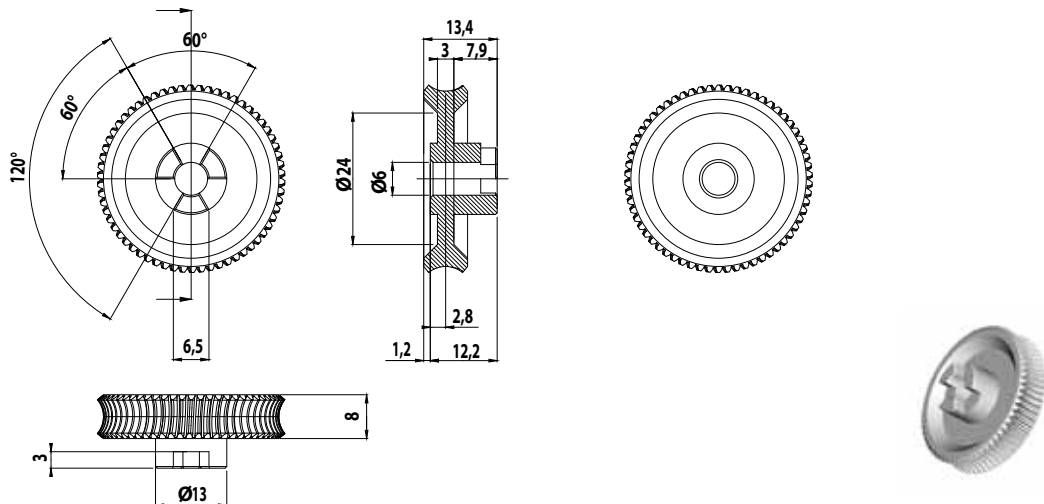
Measuring unit: mm

STANDARD CODE AND OVERALL DIMENSIONS OF CYLINDRICAL SCREW GEARS



CODE	Z	M	Dp	Dg	a	d	α	l	D1	D2	S1	S2	S3	S4
PRSL6701PI	50	0,50	25,00	26,00	0,50	0,58	3°35'	16,00	11,50	22,00	5,20	8,00	6,40	9,00
PRSL6704PI	50	0,50	25,00	26,00	0,50	0,58	3°35'	16,00	11,50	22,00	5,20	8,00	3,40	9,00
PRSL6850PI	62	0,50	31,00	32,00	0,50	0,63	3°	21,00	16,00	29,00	0,00	8,00	6,40	10,00
PRSL6702PI	70	0,50	35,00	36,00	0,50	0,58	2°23'	23,00	16,00	30,00	5,20	10,00	6,20	12,00
PRSL6703PI	100	0,50	50,00	51,00	0,50	0,58	2°23'	30,50	16,00	45,00	5,20	10,00	6,30	12,00

Measuring unit: mm



CODE	Z	M	Dp	Dg	a	d	α	l
PRSL6800PI	62	0,50	31,00	32,00	0,50	0,63	3°	21,00

Measuring unit: mm

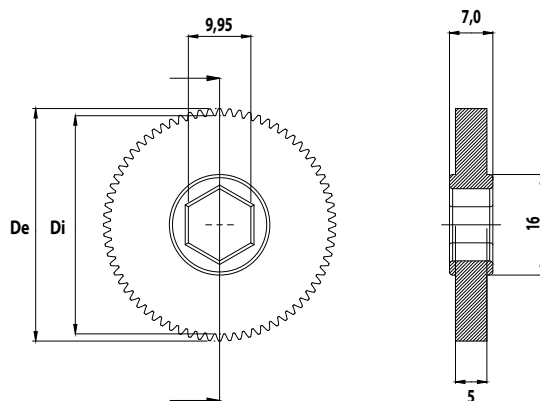
KEY	
Z	No. of teeth
M	Module
Dp	Primitive diameter
Dg	Throat diameter
a	Addendum
d	Dedendum
α	Helix angle
l	Centre distance

The data and the products illustrated in this brochure may be modified without notice. Under no circumstances can their description have a contractual value.



TER Tecno Elettrica Ravasi srl
 Via Garibaldi 29/31 - 23885 Calco (LC) - Italy
 Registered Office - via San Vigilio 2 - 23887 Olgiate Molgora (LC) - Italy
 Tel. +39 0399911011 - Fax +39 0399910445 - E-mail: info@terworld.com

www.terworld.com



Measuring unit: mm

CODE	Z	M	Dp	De	Di	Alpha
PRSL6600PI	36	0,50	18,00	18,90	16,83	20,00
PRSL6601PI	38	0,50	19,00	19,80	17,83	20,00
PRSL6602PI	40	0,50	20,00	21,20	18,83	20,00
PRSL6603PI	42	0,50	21,00	21,70	19,83	20,00
PRSL6604PI	44	0,50	22,00	23,20	20,83	20,00
PRSL6605PI	46	0,50	23,00	24,20	21,83	20,00
PRSL6606PI	48	0,50	24,00	25,00	22,83	20,00
PRSL6607PI	50	0,50	25,00	26,00	23,83	20,00
PRSL6608PI	52	0,50	26,00	26,95	24,83	20,00
PRSL6609PI	54	0,50	27,00	27,85	25,83	20,00
PRSL6610PI	55	0,50	27,50	28,50	26,33	20,00
PRSL6611PI	56	0,50	28,00	29,15	26,83	20,00
PRSL6612PI	58	0,50	29,00	30,10	27,83	20,00
PRSL6613MF	60	0,50	30,00	30,70	28,83	20,00
PRSL6613PI	60	0,50	30,00	30,95	28,83	20,00
PRSL6614PI	62	0,50	31,00	32,10	29,83	20,00
PRSL6615PI	64	0,50	32,00	32,90	30,83	20,00
PRSL6616PI	66	0,50	33,00	33,80	31,83	20,00
PRSL6617PI	68	0,50	34,00	35,25	32,83	20,00
PRSL6618PI	70	0,50	35,00	35,75	33,83	20,00
PRSL6619PI	72	0,50	36,00	36,95	34,83	20,00
PRSL6620PI	74	0,50	37,00	38,10	35,83	20,00
PRSL6621PI	76	0,50	38,00	38,70	36,83	20,00
PRSL6622PI	78	0,50	39,00	40,20	37,83	20,00
PRSL6623PI	80	0,50	40,00	40,90	38,83	20,00
PRSL6624PI	82	0,50	41,00	41,80	39,83	20,00
PRSL6625PI	84	0,50	42,00	43,05	40,83	20,00
PRSL6626PI	86	0,50	43,00	43,80	40,83	20,00
PRSL6627PI	88	0,50	44,00	44,90	42,83	20,00
PRSL6628PI	90	0,50	45,00	46,00	43,83	20,00
PRSL6629PI	92	0,50	46,00	47,00	44,83	20,00
PRSL6630PI	94	0,50	47,00	47,80	45,83	20,00
PRSL6631PI	96	0,50	48,00	48,90	46,83	20,00
PRSL6632PI	98	0,50	49,00	49,70	47,83	20,00
PRSL6633PI	100	0,50	50,00	50,65	48,83	20,00
PRSL6634PI	102	0,50	51,00	52,00	49,83	20,00
PRSL6635PI	104	0,50	52,00	52,50	49,83	20,00
PRSL6636PI	106	0,50	53,00	53,80	51,83	20,00
PRSL6638PI	107	0,50	53,50	54,50	52,33	20,00
PRSL6637PI	108	0,50	54,00	55,00	52,83	20,00
PRSL6639PI	109	0,50	54,50	55,50	53,33	20,00

KEY	
Z	No. of teeth
M	Module
Dp	Primitive diameter
De	External diameter
Di	Internal diameter
Alpha	Pressure angle

