



Sturdy, quality, and reliable warning lights featuring a high degree of customization. They are used in many industrial and automotive markets.

FEATURES

- Suitable for many industrial and automotive markets.
- IP protection degree: they are classified IP65.
- Bodies made of ABS providing great resistance to impacts and vibrations.
- Polycarbonate lenses for a better and powerful light transmission and diffusion.
- Extreme temperature resistance: -20°C to +50°C.
- All materials and components used are wear resistant and guarantee protection of the unit against water and dust.

OPTIONS

- High degree of customization and different solutions available for each kind of market: stack lights, signal beacons, warning horns, RGB warning lights, LED warning horns, electronic sirens, obstruction lights and heavy-duty warning lights.
- Available with SMD or POWER LEDs for a long-lasting light quality.

PRODUCT FAMILIES

- Stack lights (page 2).
- Multicolour RGB warning lights (page 6).
- Universal signal beacons (page 11).
- LED warning horns (page 19).
- Beacon horns (page 25).
- Electronic sirens (page 30).
- Obstruction lights (page 33).
- Heavy duty warning lights (page 38).
- Crane & forklift safety lights (page 42).
- Machine tool lights (page 44).
- Motor sirens (page 45).

CERTIFICATIONS

- CE marking and EAC certification.
- RoHS and E₃₇* homologation.

* Not available on all versions.

STACK LIGHTS

Suitable for the status indication in industrial manufacturing and process control environments where a local audio and video signal is required.

They are used on a wide range of machineries and process environments.

A specific colour-coding is usually assigned by the System Designer and the most used colour codes for the status indication generally include red, yellow, green, blue, white.

- Red: failure conditions (i.e. emergency stop, machine fault, etc.).
- Yellow: warnings (i.e. over-temperature, over-pressure, etc.).
- Green: normal machine or process operation.
- Blue: external intervention request (i.e. request for raw material, programming or maintenance personnel, etc.).
- White: user-defined conditions related to a specific machine, often referring to productivity monitoring.



CERTIFICATIONS

Conformity to Community Directives	2014/35/UE Low Voltage Directive
Conformity to CE Standards	EN 60598-1 Luminaires - General requirements and tests
	EN 60529-1 Degrees of protection provided by enclosures
Markings and homologations	CE EAC RoHS

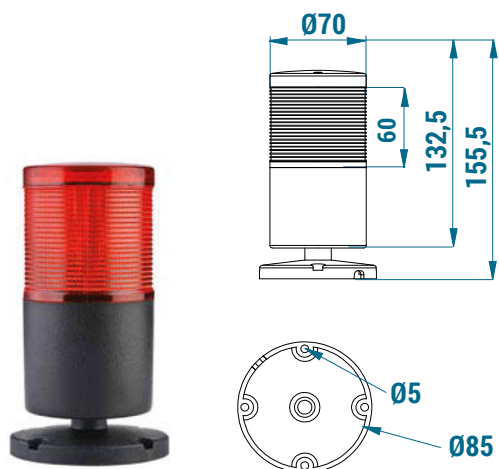
GENERAL TECHNICAL SPECIFICATIONS

Ambient temperature	Operational -20°C/+50°C
IP protection degree	IP 65
Materials	Lens: Polycarbonate
	Housing: ABS
LED module type	SMD
LED life duration	50,000 hrs
Light colours	Red, green, yellow, blue, white
Layers	Available from 1 to 5
Light modes	Steady, flashing, strobing, rotary
Voltage options	12-24 V AC/DC
	24 V/DC
	40-250 V AC/DC
	220 V/AC
Sound	2 melodies
Volume	103 - 116 dB
Sound and Light control	Separate control available
Mounting types	Surface & Wall
Protection	Resistant to water, dust, heat and UV rays
Warranty	2 Years

OVERALL DIMENSIONS (mm)

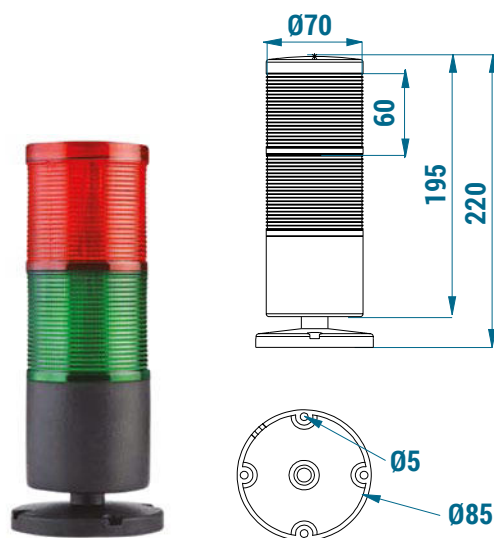
Stack lights (1 colour)

Light colours: Red, Green, Yellow, Blue, White



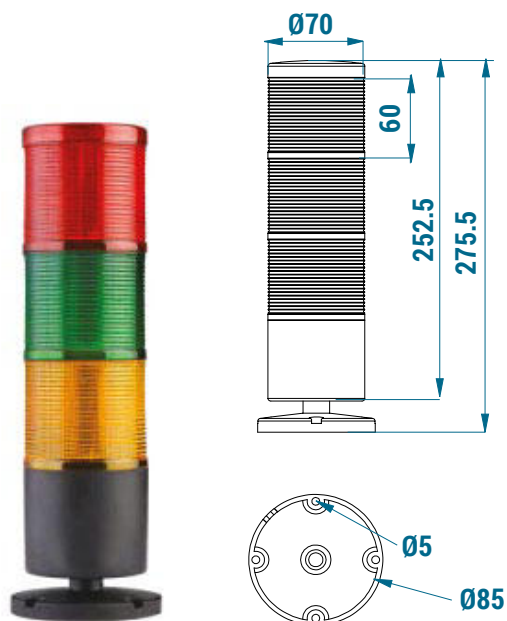
Stack lights (2 colours)

Standard colour range: Red - Green



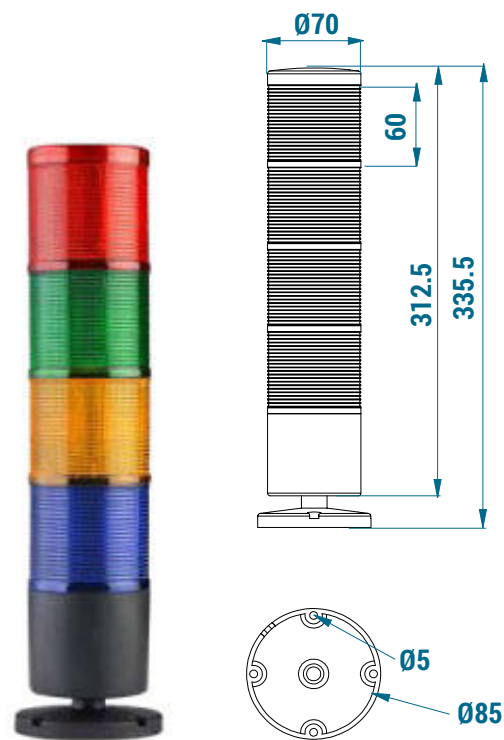
Stack lights (3 colours)

Standard colour range: Red - Green - Yellow



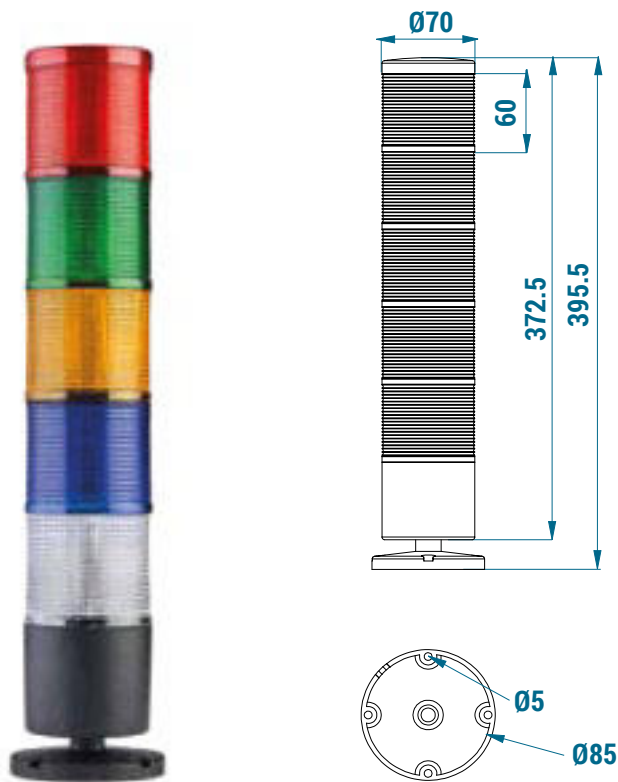
Stack lights (4 colours)

Standard colour range: Red - Green - Yellow - Blue



Stack lights (5 colours)

Standard colour range: Red - Green - Yellow - Blue - White



STACK LIGHTS - SPARE PARTS

Description	Colour	Code
Steady LED Module	Red	TERMSP0301R
Steady LED Module	Green	TERMSP0301G
Steady LED Module	Yellow	TERMSP0301Y
Steady LED Module	Blue	TERMSP0301B
Steady LED Module	White	TERMSP0301W
Strobe-Rotary LED Module	Red	TERMSP0300R
Strobe-Rotary LED Module	Green	TERMSP0300G
Strobe-Rotary LED Module	Yellow	TERMSP0300Y
Strobe-Rotary LED Module	Blue	TERMSP0300B
Strobe-Rotary LED Module	White	TERMSP0300W
$\text{Ø}70$ PC-Lens Cover	Red	TERMSP0105R
$\text{Ø}70$ PC-Lens Cover	Green	TERMSP0105G
$\text{Ø}70$ PC-Lens Cover	Yellow	TERMSP0105Y
$\text{Ø}70$ PC-Lens Cover	Blue	TERMSP0105B
$\text{Ø}70$ PC-Lens Cover	Transparent	TERMSP0105W
$\text{Ø}70$ PC-Lens	Red	TERMSP0104R
$\text{Ø}70$ PC-Lens	Green	TERMSP0104G
$\text{Ø}70$ PC-Lens	Yellow	TERMSP0104Y
$\text{Ø}70$ PC-Lens	Blue	TERMSP0104B
$\text{Ø}70$ PC-Lens	Transparent	TERMSP0104W
ABS Surface Bracket	Black	TERMSP0500
ABS Foldable Base	Black	TERMSP0501
ABS Wall Bracket	Black	TERMSP0502

STACK LIGHTS - SPARE PARTS

Description	Colour	Code
10 cm Metal Extension Tube	Grey	TERMSP0800T10
20 cm Metal Extension Tube	Grey	TERMSP0800T20
30 cm Metal Extension Tube	Grey	TERMSP0800T30
Metal Wall Bracket	Black	TERMSP0604

STACK LIGHTS - STANDARD CODES



Number of colours
1 = 1 colour
2 = 2 colours
3 = 3 colours
4 = 4 colours
5 = 5 colours

Light modes and buzzer
A = Steady lights - no buzzer
B = Flashing lights - no buzzer
C = Strobe lights - no buzzer
D = Rotary lights - no buzzer
E = Steady lights - with buzzer
F = Flashing lights - with buzzer
G = Strobe lights - with buzzer
H = Rotary lights - with buzzer

Power supply
1 = 12-24 V AC/DC
2 = 24 VDC
3 = 40-250 V AC/DC
4 = 220 V AC

Mounting Options*
00 = Surface bracket
01 = Surface bracket + 10 cm tube
02 = Surface bracket + 20 cm tube
03 = Surface bracket + 30 cm tube
04 = Foldable base
05 = Foldable base + 10 cm tube
06 = Foldable base + 20 cm tube
07 = Foldable base + 30 cm tube
08 = Wall bracket
09 = Wall bracket + 10 cm tube
10 = Wall bracket + 20 cm tube
11 = Wall bracket + 30 cm tube

Light colours
R = Red
G = Green
Y = Yellow
B = Blue
W = White

Indicate the sequence of colours required on the base of the number of colours. The first colour is on top. Bear in mind that the maximum number of colours is 5, so if you need a lower number of colours, you will have to fill in the remaining characters of the code with the letter "X".

Please, see the example above: choosing 3 colours, you have to fill in the remaining characters of the code with 2 letter "X".

***Mounting Options**

Surface bracket Foldable base Wall bracket

Instructions

Fill in the boxes with the numbers/letters corresponding to the specifications required, thus obtaining the stack light code, as shown in the example below.



MULTICOLOUR RGB WARNING LIGHTS

High-quality and energy efficient indicators providing different colour options by mixing the primary colours (red, green and blue) featuring the order priority red – green – blue - yellow.
Suitable to be connected to a PLC.



CERTIFICATIONS

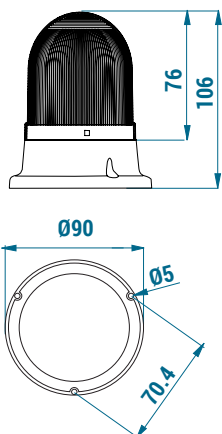
Conformity to Community Directives	2014/35/UE Low Voltage Directive
Conformity to CE Standards	EN 60598-1 Luminaires - General requirements and tests
	EN 60529-1 Degrees of protection provided by enclosures
Markings and homologations	CE EAC RoHS

GENERAL TECHNICAL SPECIFICATIONS

Ambient temperature	Operational -20°C/+50°C
IP protection degree	IP 65
Materials	Lens: Polycarbonate
	Housing: ABS
LED module type	SMD
LED life duration	50,000 hrs
Light colours	Red-green-yellow-blue
	Up to 7 different colours with RGB LED technology
Light modes	Steady, flashing, strobing
Voltage options	12-24 V DC
	40-250 V AC/DC
Sound	16 melodies
Volume	70 - 130 dB
Sound and Light control	Separate control available
Mounting types	Surface & Wall
Protection	Resistant to water, dust, heat and UV rays
Warranty	2 Years

STANDARD CODES AND OVERALL DIMENSIONS (mm)

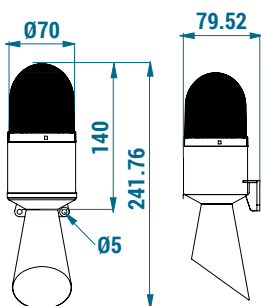
70 RGB Signal Beacons



Code	Lens Ø	Type	Power supply
TERMWL0100	70 mm	3 modes lights	12-24 V DC
TERMWL0101	70 mm	3 modes lights + 77-98 dB buzzer	12-24 V DC

Mounting type: surface & wall

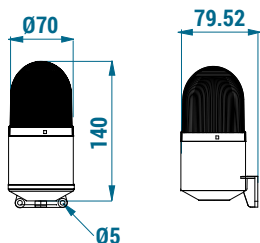
RGB LED Horns



Code	Lens Ø	Type	Power supply
TERMWL0200	70 mm	3 modes lights + 106-130 dB buzzer	12-24 V DC
TERMWL0201	70 mm	3 modes lights + 106-130 dB buzzer	40-250 V AC/DC

Mounting type: wall

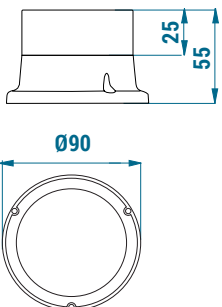
RGB Beacon Horns



Code	Lens Ø	Type	Power supply
TERMWL0300	70 mm	3 modes lights + 93-120 dB buzzer	12-24 V DC
TERMWL0301	70 mm	3 modes lights + 93-120 dB buzzer	40-250 V AC/DC

Mounting type: wall

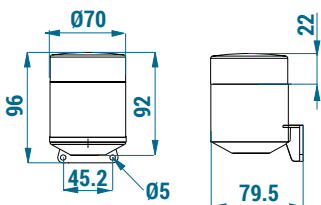
Mini RGB Signal Beacons



Code	Lens Ø	Type	Power supply
TERMWL0400	70 mm	3 modes lights	12-24 V DC
TERMWL0401	70 mm	3 modes lights + 77-98 dB buzzer	12-24 V DC

Mounting type: surface & wall

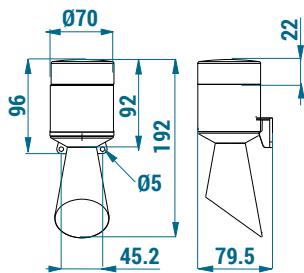
Mini RGB Beacon Horns



Code	Lens Ø	Type	Power supply
TERMWL0500	70 mm	3 modes lights + 93-120 dB buzzer	12-24 V DC
TERMWL0501	70 mm	3 modes lights + 93-120 dB buzzer	40-250 V AC/DC

Mounting type: wall

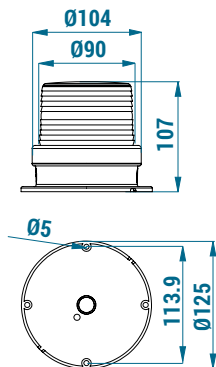
Mini RGB LED Horns



Code	Lens Ø	Type	Power supply
TERMWL0600	70 mm	3 modes lights + 106-130 dB buzzer	12-24 V DC
TERMWL0601	70 mm	3 modes lights + 106-130 dB buzzer	40-250 V AC/DC

Mounting type: wall

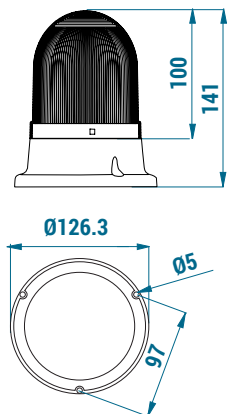
90 RGB Signal Beacons



Code	Lens Ø	Type	Power supply
TERMWL0700	90 mm	3 modes lights	12-24 V DC
TERMWL0701	90 mm	3 modes lights + 93-120 dB buzzer	12-24 V DC
TERMWL0702	90 mm	3 modes lights	40-250 V AC/DC
TERMWL0703	90 mm	3 modes lights + 93-120 dB buzzer	40-250 V AC/DC

Mounting type: surface & wall

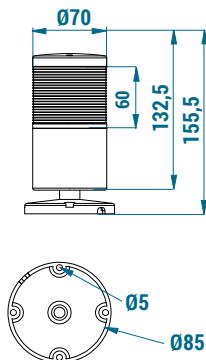
100 RGB Signal Beacons



Code	Lens Ø	Type	Power supply
TERMWL0800	100 mm	3 modes lights	12-24 V DC
TERMWL0801	100 mm	3 modes lights + 93-120 dB buzzer	12-24 V DC
TERMWL0802	100 mm	3 modes lights	40-250 V AC/DC
TERMWL0803	100 mm	3 modes lights + 93-120 dB buzzer	40-250 V AC/DC

Mounting type: surface & wall

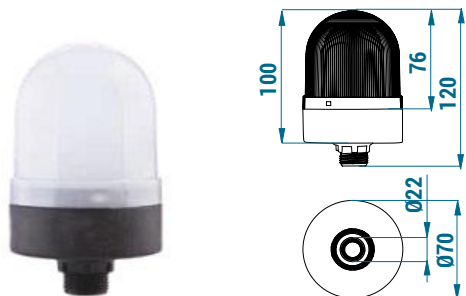
RGB Stack Lights



Code	Lens Ø	Type	Power supply
TERMWL0900	70 mm	3 modes lights	12-24 V DC
TERMWL0901	70 mm	3 modes lights + 103-115 dB buzzer	12-24 V DC
TERMWL0902	70 mm	3 modes lights	40-250 V AC/DC
TERMWL0903	70 mm	3 modes lights + 103-115 dB buzzer	40-250 V AC/DC

Mounting type: surface & wall

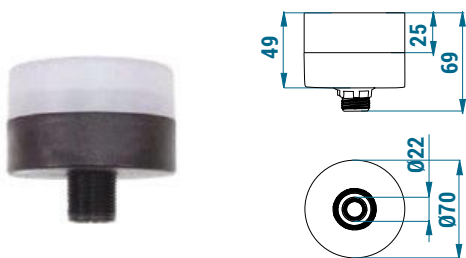
22 mm Hole Mounted RGB Signal Beacons



Code	Lens Ø	Type	Tube	Power supply
TERMWL1000	70 mm	3 modes lights	/	12-24 V DC
TERMWL1001	70 mm	3 modes lights + 83-105 dB buzzer	/	12-24 V DC
TERMWL1002	70 mm	3 modes lights	10 cm	12-24 V DC
TERMWL1003	70 mm	3 modes lights + 83-105 dB buzzer	10 cm	12-24 V DC
TERMWL1004	70 mm	3 modes lights	20 cm	12-24 V DC
TERMWL1005	70 mm	3 modes lights + 83-105 dB buzzer	20 cm	12-24 V DC
TERMWL1006	70 mm	3 modes lights	30 cm	12-24 V DC
TERMWL1007	70 mm	3 modes lights + 83-105 dB buzzer	30 cm	12-24 V DC

Mounting type: M22 nut connection

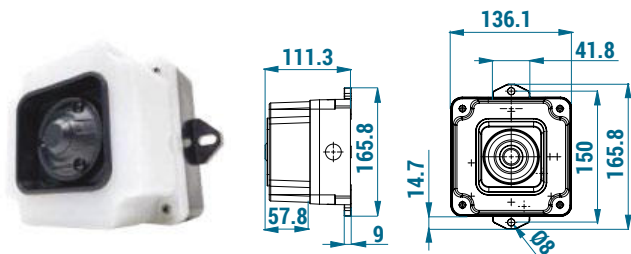
22 mm Hole Mounted Mini RGB Signal Beacons



Code	Lens Ø	Type	Tube	Power supply
TERMWL1100	70 mm	3 modes lights	/	12-24 V DC
TERMWL1101	70 mm	3 modes lights + 83-105 dB buzzer	/	12-24 V DC
TERMWL1102	70 mm	3 modes lights	10 cm	12-24 V DC
TERMWL1103	70 mm	3 modes lights + 83-105 dB buzzer	10 cm	12-24 V DC
TERMWL1104	70 mm	3 modes lights	20 cm	12-24 V DC
TERMWL1105	70 mm	3 modes lights + 83-105 dB buzzer	20 cm	12-24 V DC
TERMWL1106	70 mm	3 modes lights	30 cm	12-24 V DC
TERMWL1107	70 mm	3 modes lights + 83-105 dB buzzer	30 cm	12-24 V DC

Mounting type: M22 nut connection

RGB Heavy Duty Beacon Sirens



Code	Lens	Type	Power supply
TERMWL1200	145 x 136 mm	Strobe, 7 Colours + 125-130 dB buzzer (7 melodies)	12-30 V AC/DC
TERMWL1201	145 x 136 mm	Strobe, 7 Colours + 125-130 dB buzzer (7 melodies)	48 V AC/DC
TERMWL1202	145 x 136 mm	Strobe, 7 Colours + 125-130 dB buzzer (7 melodies)	85-250 V AC/DC

Mounting type: wall

MULTICOLOUR RGB WARNING LIGHTS - SPARE PARTS

Description	Colour	Code
Ø70 Mini PC-Lens	Transparent	TERMSP0106W
Ø70 PC-Lens	Transparent	TERMSP0103W
Ø90 PC-Lens	Transparent	TERMSP0102W
Ø100 PC-Lens	Transparent	TERMSP0101W
Ø70 Mini PC-Lens	Cloudy	TERMSP0107
Ø70 PC-Lens	Cloudy	TERMSP0108
Ø90 PC-Lens	Cloudy	TERMSP0109
Ø100 PC-Lens	Cloudy	TERMSP0110
10cm Metal Extension Tube	Grey	TERMSP0800T10
20cm Metal Extension Tube	Grey	TERMSP0800T20
30cm Metal Extension Tube	Grey	TERMSP0800T30
10cm Metal Tube Nut-Connect	Grey-Black	TERMSP0801T10
20cm Metal Tube Nut-Connect	Grey-Black	TERMSP0801T20
30cm Metal Tube Nut-Connect	Grey-Black	TERMSP0801T30
ABS Surface Bracket	Black	TERMSP0500
ABS Foldable Base	Black	TERMSP0501
ABS Wall Bracket	Black	TERMSP0502
Ø70 Metal Wall Bracket- Nut Connect	Black	TERMSP0605
Ø70 Metal Wall Bracket	Black	TERMSP0603
Ø90 Metal Wall Bracket	Black	TERMSP0602
Ø100 Metal Wall Bracket	Black	TERMSP0601
Ø90 Metal Protection Cage	Black	TERMSP0702
Ø100 Metal Protection Cage	Black	TERMSP0701

UNIVERSAL SIGNAL BEACONS

Multifunctional signals featuring the possibility to cover several functions through a single beacon: in case of change of conditions, their function can be quickly and easily modified without buying a new device.

Depending on the model, the LED multifunction beacons can display up to 5 operating modes with the steady, flashing, strobe, rotating light functions.

Available both in the version with Power and SMD LEDs, with a different number of LEDs depending on the model: the high-performance version is equipped with 5x3W Power LEDs and the other models with 45 SMD LEDs.

The Power LEDs produce light for longer distances by their angular light characteristics while the SMD LEDs guarantee a more diffused light.



CERTIFICATIONS

Conformity to Community Directives	2014/35/UE Low Voltage Directive
Conformity to CE Standards	EN 60598-1 Luminaires - General requirements and tests
	EN 60529-1 Degrees of protection provided by enclosures
Markings and homologations	CE EAC RoHS E37*

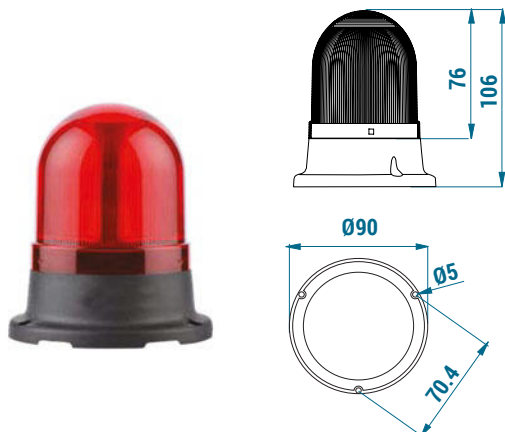
GENERAL TECHNICAL SPECIFICATIONS

Ambient temperature	Operational -20°C/+50°C
IP protection degree	IP 65
Materials	Lens: Polycarbonate
	Housing: ABS
Lens Diameter	70 mm, 90 mm, 100 mm and 125 mm
LED module type	SMD / POWER
LED life duration	50,000 hrs
Light colours	Red, green, yellow, blue, white
Light modes	Steady, flashing, strobing, rotary
	12-24 V AC/DC
	85-250 V AC/DC
Voltage options	220 V AC
	10 melodies
Sound	10 melodies
Volume	85 - 110 dB
Sound and Light control	Separate control available
Mounting types	Surface & Wall
Protection	Resistant to water, dust, heat and UV rays
Warranty	2 Years

* Not available on all versions.

STANDARD CODES AND OVERALL DIMENSIONS (mm)

70 Signal Beacons



Lens Diameter	70 mm
LED module type	SMD
Light colours	Red, green, yellow, blue, white
Sound	2 melodies
Mounting types	Surface & Wall
Markings and homologations	CE EAC RoHS

Code	Type	Buzzer	Power supply
TERMSB0100***	Steady	/	24 V DC
TERMSB0101***	Steady	/	40-250 V AC/DC
TERMSB0102***	Flashing	/	24 V DC
TERMSB0103***	Flashing	/	40-250 V AC/DC
TERMSB0104***	Steady	94-100 dB	24 V DC
TERMSB0105***	Steady	94-100 dB	40-250 V AC/DC
TERMSB0106***	Flashing	94-100 dB	24 V DC
TERMSB0107***	Flashing	94-100 dB	40-250 V AC/DC

Please, specify the colour code in your orders:

R = Red (R)

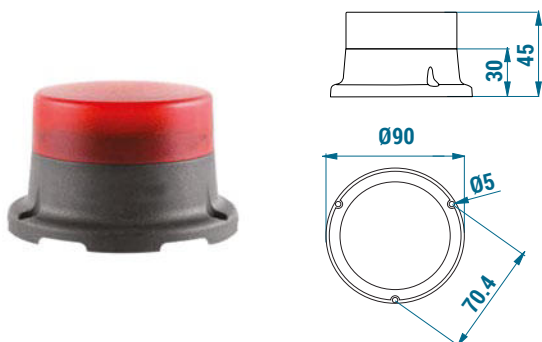
G = Green (G)

Y = Yellow (Y)

B = Blue (B)

W = White (W)

Mini Signal Beacons



Lens Diameter	70 mm
LED module type	SMD
Light colours	Red, green, yellow, blue, white
Sound	2 melodies
Mounting types	Surface & Wall
Markings and homologations	CE EAC RoHS

Code	Type	Buzzer	Power supply
TERMSB0200***	Steady	/	24 V DC
TERMSB0201***	Steady	/	40-250 V AC/DC
TERMSB0202***	Flashing	/	24 V DC
TERMSB0203***	Flashing	/	40-250 V AC/DC
TERMSB0204***	Steady	94-100 dB	24 V DC
TERMSB0205***	Steady	94-100 dB	40-250 V AC/DC
TERMSB0206***	Flashing	94-100 dB	24 V DC
TERMSB0207***	Flashing	94-100 dB	40-250 V AC/DC

Please, specify the colour code in your orders:

R = Red (R)

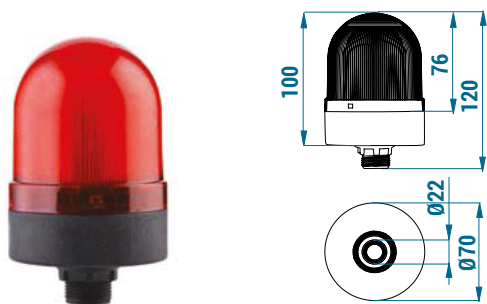
G = Green (G)

Y = Yellow (Y)

B = Blue (B)

W = White (W)

22 mm Hole Mounted Signal Beacons



Lens Diameter	70 mm
LED module type	SMD
Light colours	Red, green, yellow, blue, white
Sound	2 melodies
Mounting types	M22 nut connection
Markings and homologations	CE EAC RoHS

Code	Type	Buzzer	Power supply
TERMSB0300***	Steady	/	24 V DC
TERMSB0301***	Steady	/	40-250 V AC/DC
TERMSB0302***	Flashing	/	24 V DC
TERMSB0303***	Flashing	/	40-250 V AC/DC
TERMSB0304***	Steady	104-107 dB	24 V DC
TERMSB0305***	Steady	104-107 dB	40-250 V AC/DC
TERMSB0306***	Flashing	104-107 dB	24 V DC
TERMSB0307***	Flashing	104-107 dB	40-250 V AC/DC

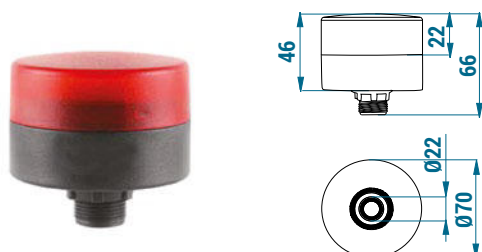
Please, specify the colour code in your orders:

- R** = Red (R)
- G** = Green (G)
- Y** = Yellow (Y)
- B** = Blue (B)
- W** = White (W)

If the Metal Tube Nut-Connect is required, please, specify the tube code after the colour code.

- T10 = 10 cm Metal Tube Nut-Connect
- T20 = 20 cm Metal Tube Nut-Connect
- T30 = 30 cm Metal Tube Nut-Connect

22 mm Hole Mounted Mini Signal Beacons



Lens Diameter	70 mm
LED module type	SMD
Light colours	Red, green, yellow, blue, white
Sound	2 melodies
Mounting types	M22 nut connection
Markings and homologations	CE EAC RoHS

Code	Type	Buzzer	Power supply
TERMSB0400***	Steady	/	24 V DC
TERMSB0401***	Steady	/	40-250 V AC/DC
TERMSB0402***	Flashing	/	24 V DC
TERMSB0403***	Flashing	/	40-250 V AC/DC
TERMSB0404***	Steady	104-107 dB	24 V DC
TERMSB0405***	Steady	104-107 dB	40-250 V AC/DC
TERMSB0406***	Flashing	104-107 dB	24 V DC
TERMSB0407***	Flashing	104-107 dB	40-250 V AC/DC

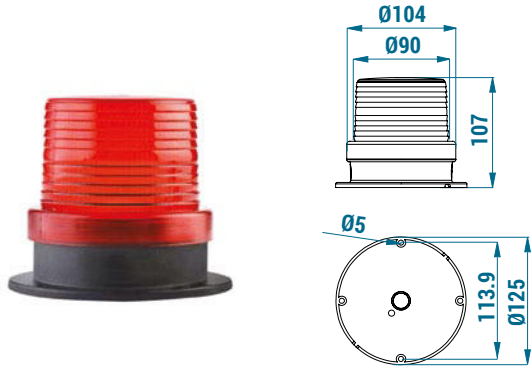
Please, specify the colour code in your orders:

- R** = Red (R)
- G** = Green (G)
- Y** = Yellow (Y)
- B** = Blue (B)
- W** = White (W)

If the Metal Tube Nut-Connect is required, please, specify the tube code after the colour code.

- T10 = 10 cm Metal Tube Nut-Connect
- T20 = 20 cm Metal Tube Nut-Connect
- T30 = 30 cm Metal Tube Nut-Connect

90 Universal Signal Beacons



Lens Diameter	90 mm
LED module type	45 SMD LED / 5 x 3 W Power LED
Light colours	Red, green, yellow, blue, white
Light modes	Steady, flashing, strobing, rotary
Sound	10 melodies
Sound & Light changing button	Yes
Mounting types	Surface & Wall
Protection Cage against strokes	Yes
Markings and homologations	CE EAC RoHS E37

Code	LED Type	Light	Buzzer	Protection Cage	Power supply
TERMSB0500***	SMD	5 modes	/	/	12-24 V AC/DC
TERMSB0501***	SMD	5 modes	/	/	85-250 V AC/DC
TERMSB0502***	SMD	5 modes	85-110 dB	/	12-24 V AC/DC
TERMSB0503***	SMD	5 modes	85-110 dB	/	85-250 V AC/DC
TERMSB0504***	SMD	5 modes	/	Yes	12-24 V AC/DC
TERMSB0505***	SMD	5 modes	/	Yes	85-250 V AC/DC
TERMSB0506***	SMD	5 modes	85-110 dB	Yes	12-24 V AC/DC
TERMSB0507***	SMD	5 modes	85-110 dB	Yes	85-250 V AC/DC
TERMSB0508***	POWER	5 modes	/	/	12-24 V AC/DC
TERMSB0509***	POWER	5 modes	/	/	85-250 V AC/DC
TERMSB0510***	POWER	5 modes	85-110 dB	/	12-24 V AC/DC
TERMSB0511***	POWER	5 modes	85-110 dB	/	85-250 V AC/DC
TERMSB0512***	POWER	5 modes	/	Yes	12-24 V AC/DC
TERMSB0513***	POWER	5 modes	/	Yes	85-250 V AC/DC
TERMSB0514***	POWER	5 modes	85-110 dB	Yes	12-24 V AC/DC
TERMSB0515***	POWER	5 modes	85-110 dB	Yes	85-250 V AC/DC

Please, specify the colour code in your orders:

R = Red (R)

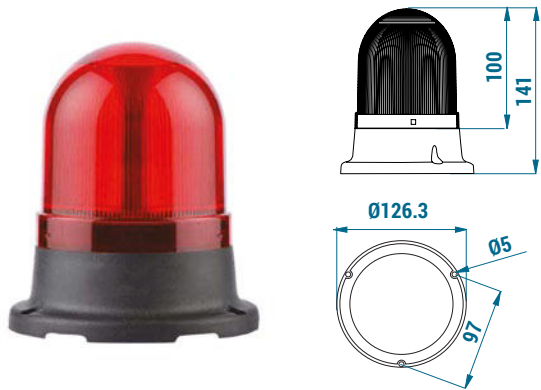
G = Green (G)

Y = Yellow (Y)

B = Blue (B)

W = White (W)

100 Universal Signal Beacons



Lens Diameter	100 mm
LED module type	45 SMD LED / 5 x 3 W Power LED
Light colours	Red, green, yellow, blue, white
Light modes	Steady, flashing, strobing, rotary
Sound	10 melodies
Sound & Light changing button	Yes
Mounting types	Surface & Wall
Protection Cage against strokes	Yes
Markings and homologations	CE EAC RoHS E37

Code	LED Type	Light	Buzzer	Protection Cage	Power supply
TERMSB0600***	SMD	5 modes	/	/	12-24 V AC/DC
TERMSB0601***	SMD	5 modes	/	/	85-250 V AC/DC
TERMSB0602***	SMD	5 modes	88-112 dB	/	12-24 V AC/DC
TERMSB0603***	SMD	5 modes	88-112 dB	/	85-250 V AC/DC
TERMSB0604***	SMD	5 modes	/	Yes	12-24 V AC/DC
TERMSB0605***	SMD	5 modes	/	Yes	85-250 V AC/DC
TERMSB0606***	SMD	5 modes	88-112 dB	Yes	12-24 V AC/DC
TERMSB0607***	SMD	5 modes	88-112 dB	Yes	85-250 V AC/DC
TERMSB0608***	POWER	5 modes	/	/	12-24 V AC/DC
TERMSB0609***	POWER	5 modes	/	/	85-250 V AC/DC
TERMSB0610***	POWER	5 modes	88-112 dB	/	12-24 V AC/DC
TERMSB0611***	POWER	5 modes	88-112 dB	/	85-250 V AC/DC
TERMSB0612***	POWER	5 modes	/	Yes	12-24 V AC/DC
TERMSB0613***	POWER	5 modes	/	Yes	85-250 V AC/DC
TERMSB0614***	POWER	5 modes	88-112 dB	Yes	12-24 V AC/DC
TERMSB0615***	POWER	5 modes	88-112 dB	Yes	85-250 V AC/DC

Please, specify the colour code in your orders:

R = Red (R)

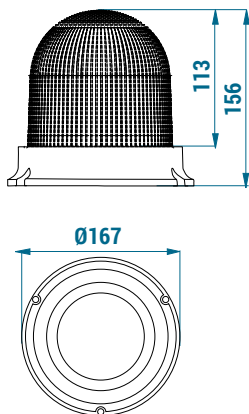
G = Green (G)

Y = Yellow (Y)

B = Blue (B)

W = White (W)

125 Universal Signal Beacons



Lens Diameter	125 mm
LED module type	5 x 3 W Power LED
Light colours	Red, green, yellow, blue, white
Light modes	Steady, flashing, strobing, rotary
Sound	10 melodies
Sound & Light changing button	Yes
Mounting types	Surface & Wall
Protection Cage against strokes	Yes
Markings and homologations	CE EAC RoHS E37

Code	LED Type	Light	Buzzer	Power supply
TERMSB0700***	POWER	5 modes	/	12-24 V AC/DC
TERMSB0701***	POWER	5 modes	/	85-250 V AC/DC
TERMSB0702***	POWER	5 modes	85-105 dB	12-24 V AC/DC
TERMSB0703***	POWER	5 modes	85-105 dB	85-250 V AC/DC

Please, specify the colour code in your orders:

- R** = Red (R)
- G** = Green (G)
- Y** = Yellow (Y)
- B** = Blue (B)
- W** = White (W)

Maxi-Volt Signal Beacons



For overall dimensions see:
 - 90 Universal Signal Beacon
 - 100 Universal Signal Beacon
 - 125 Universal Signal Beacon

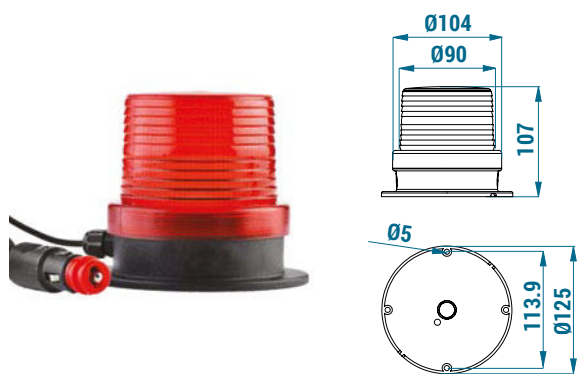
Lens Diameter	90 mm, 100 mm, 125 mm
LED module type	5 x 3 W Power LED
Light colours	Red, green, yellow, blue, white
Light modes	Strobing
Sound	1 melody
Mounting types	Surface & Wall
Protection Cage against strokes	Yes
Markings and homologations	CE EAC RoHS E37

Code	Lens Diameter	Buzzer	Protection Cage	Power supply
TERMSB0800***	90 mm	/	/	24-230 V AC/DC
TERMSB0801***	90 mm	117 dB	/	24-90 V DC / 24-60 V AC
TERMSB0802***	90 mm	/	Yes	24-230 V AC/DC
TERMSB0803***	90 mm	117 dB	Yes	24-90 V DC / 24-60 V AC
TERMSB0804***	100 mm	/	/	24-230 V AC/DC
TERMSB0805***	100 mm	117 dB	/	24-90 V DC / 24-60 V AC
TERMSB0806***	100 mm	/	Yes	24-230 V AC/DC
TERMSB0807***	100 mm	117 dB	Yes	24-90 V DC / 24-60 V AC
TERMSB0808***	125 mm	/	/	24-230 V AC/DC
TERMSB0809***	125 mm	117 dB	/	24-90 V DC / 24-60 V AC

Please, specify the colour code in your orders:

- R** = Red (R)
- G** = Green (G)
- Y** = Yellow (Y)
- B** = Blue (B)
- W** = White (W)

Magnetic Base Signal Beacons with Cigarette Lighter Plug



Lens Diameter	90 mm
LED module type	5 x 3 W Power LED
Light colours	Red, green, yellow, blue, white
Light modes	Steady, flashing, strobing, rotary
Sound	10 melodies
Mounting types	Surface & Wall
Protection Cage against strokes	Yes
Strong magnet to secure attachment to vehicle surfaces	Yes
Markings and homologations	CE EAC RoHS E37

Code	Lens Diameter	Light	Buzzer	Protection Cage	Power supply
TERMSB0900***	90 mm	5 modes	/	/	12-24 V AC/DC
TERMSB0901***	90 mm	5 modes	85-110 dB	/	12-24 V AC/DC
TERMSB0902***	90 mm	5 modes	/	Yes	12-24 V AC/DC
TERMSB0903***	100 mm	5 modes	85-110 dB	Yes	12-24 V AC/DC

Please, specify the colour code in your orders:

- R** = Red (R)
- G** = Green (G)
- Y** = Yellow (Y)
- B** = Blue (B)
- W** = White (W)

Signal Beacons with Sensor



For overall dimensions see:
 - 90 Universal Signal Beacon
 - 100 Universal Signal Beacon



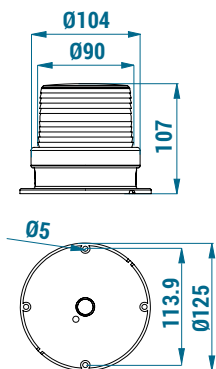
Lens Diameter	90 mm, 100 mm
LED module type	5 x 3 W Power LED
Light colours	Red, green, yellow, blue, white
Light modes	1 mode
Sound	10 melodies
Mounting types	Surface & Wall
Protection Cage against strokes	Yes
Night-day switching feature	Yes
Markings and homologations	CE EAC RoHS E37

Code	Lens Diameter	Buzzer	Protection Cage	Power supply
TERMSB1000***	90 mm	/	/	12-24 V AC/DC
TERMSB1001***	90 mm	/	/	85-250 V AC/DC
TERMSB1002***	90 mm	85-110 dB	/	12-24 V AC/DC
TERMSB1003***	90 mm	85-110 dB	/	85-250 V AC/DC
TERMSB1004***	90 mm	/	Yes	12-24 V AC/DC
TERMSB1005***	90 mm	/	Yes	85-250 V AC/DC
TERMSB1006***	90 mm	85-110 dB	Yes	12-24 V AC/DC
TERMSB1007***	90 mm	85-110 dB	Yes	85-250 V AC/DC
TERMSB1008***	100 mm	/	/	12-24 V AC/DC
TERMSB1009***	100 mm	/	/	85-250 V AC/DC
TERMSB1010***	100 mm	85-110 dB	/	12-24 V AC/DC
TERMSB1011***	100 mm	85-110 dB	/	85-250 V AC/DC
TERMSB1012***	100 mm	/	Yes	12-24 V AC/DC
TERMSB1013***	100 mm	/	Yes	85-250 V AC/DC
TERMSB1014***	100 mm	85-110 dB	Yes	12-24 V AC/DC
TERMSB1015***	100 mm	85-110 dB	Yes	85-250 V AC/DC

Please, specify the colour code in your orders:

- R** = Red (R)
- G** = Green (G)
- Y** = Yellow (Y)
- B** = Blue (B)
- W** = White (W)

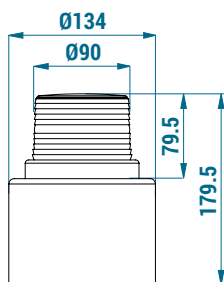
Solar Power Signal Beacons



Lens Diameter	90 mm
Light colours	Red, yellow
Light modes	Flashing
Mounting types	Surface & Wall
Magnetic base	on request
Markings and homologations	CE EAC RoHS E37

Code	Lens Diameter	Colour	Power supply
TERMSB1100R	90 mm	Red	Solar Panel
TERMSB1100Y	90 mm	Yellow	Solar Panel

Rechargeable Universal Signal Beacons - Portable Signal Lights



Lens Diameter	90 mm
LED module type	SMD
Light colours	Red, green, yellow, blue, white
Light modes	Flashing, Strobing, Rotary
Sound	10 melodies
Mounting types	Surface & Portable
Protection Cage against strokes	Yes
Power supply	Rechargeable battery includes a battery
Duration of a battery charge	20 hours
Markings and homologations	CE EAC RoHS

Code	Lens Diameter	Light	Buzzer	Colour	Power supply
TERMSB1200R	90 mm	5 modes	85-110 dB	Red	Battery Power
TERMSB1200G	90 mm	5 modes	85-110 dB	Green	Battery Power
TERMSB1200Y	90 mm	5 modes	85-110 dB	Yellow	Battery Power
TERMSB1200B	90 mm	5 modes	85-110 dB	Blue	Battery Power
TERMSB1200W	90 mm	5 modes	85-110 dB	White	Battery Power

Dual Universal Signal Beacons



Lens Diameter	90 mm
LED module type	5 x 3 W Power LED
Light colours	Red - green
Light modes	Steady, Flashing, Strobing, Rotary
Sound	10 melodies
Mounting types	Wall
Protection Cage against strokes	Yes
Markings and homologations	CE EAC RoHS E37

Code	Lens Diameter	Light	Buzzer	Protection Cage	Power supply
TERMSB1300	90 mm	5 modes	/	/	12-24 V AC/DC
TERMSB1301	90 mm	5 modes	/	/	85-250 V AC/DC
TERMSB1302	90 mm	5 modes	85-110 dB	/	12-24 V AC/DC
TERMSB1303	90 mm	5 modes	85-110 dB	/	85-250 V AC/DC
TERMSB1304	90 mm	5 modes	/	Yes	12-24 V AC/DC
TERMSB1305	90 mm	5 modes	/	Yes	85-250 V AC/DC
TERMSB1306	90 mm	5 modes	85-110 dB	Yes	12-24 V AC/DC
TERMSB1307	90 mm	5 modes	85-110 dB	Yes	85-250 V AC/DC

UNIVERSAL SIGNAL BEACONS - SPARE PARTS

Description	Colour	Code
Ø70 Mini PC-Lens	Red	TERMSP0106R
Ø70 Mini PC-Lens	Green	TERMSP0106G
Ø70 Mini PC-Lens	Yellow	TERMSP0106Y
Ø70 Mini PC-Lens	Blue	TERMSP0106B
Ø70 Mini PC-Lens	Transparent	TERMSP0106W
Ø70 PC-Lens	Red	TERMSP0103R
Ø70 PC-Lens	Green	TERMSP0103G
Ø70 PC-Lens	Yellow	TERMSP0103Y
Ø70 PC-Lens	Blue	TERMSP0103B
Ø70 PC-Lens	Transparent	TERMSP0103W
Ø90 PC-Lens	Red	TERMSP0102R
Ø90 PC-Lens	Green	TERMSP0102G
Ø90 PC-Lens	Yellow	TERMSP0102Y
Ø90 PC-Lens	Blue	TERMSP0102B
Ø90 PC-Lens	Transparent	TERMSP0102W
Ø100 PC-Lens	Red	TERMSP0101R
Ø100 PC-Lens	Green	TERMSP0101G
Ø100 PC-Lens	Yellow	TERMSP0101Y
Ø100 PC-Lens	Blue	TERMSP0101B
Ø100 PC-Lens	Transparent	TERMSP0101W
Ø125 PC-Lens	Red	TERMSP0100R
Ø125 PC-Lens	Green	TERMSP0100G
Ø125 PC-Lens	Yellow	TERMSP0100Y
Ø125 PC-Lens	Blue	TERMSP0100B
Ø125 PC-Lens	Transparent	TERMSP0100W

UNIVERSAL SIGNAL BEACONS - SPARE PARTS

Description	Colour	Code
10 cm Metal Tube Nut-Connect	Grey-Black	TERMSP0801T10
20 cm Metal Tube Nut-Connect	Grey-Black	TERMSP0801T20
30 cm Metal Tube Nut-Connect	Grey-Black	TERMSP0801T30
Ø70 Metal Wall Bracket- Nut Con.	Black	TERMSP0605
Ø70 Metal Wall Bracket	Black	TERMSP0603
Ø90 Metal Wall Bracket	Black	TERMSP0602
Ø100 Metal Wall Bracket	Black	TERMSP0601
Ø125 Metal Wall Bracket	Black	TERMSP0600
Ø90 Metal Protection Cage	Black	TERMSP0702
Ø100 Metal Protection Cage	Black	TERMSP0701

LED WARNING HORNS

Multi-sound with Multi-light LED Horns offering a perfect match, which aims at the highest quality in audio and signaling alerting. Depending on the model, they are available with 2.7 and 16 options up to 130dB.

Suitable for use on cranes, weaving machines, ships, in mines, ports, warehouses, panels, electronic control panels and in several industries such as mechanical engineering, automation, automotive.



CERTIFICATIONS

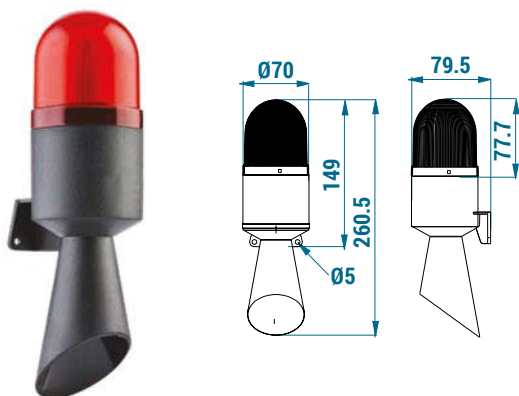
Conformity to Community Directives	2014/35/UE Low Voltage Directive
Conformity to CE Standards	EN 60598-1 Luminaires - General requirements and tests
	EN 60529-1 Degrees of protection provided by enclosures
Markings and homologations	CE EAC RoHS

GENERAL TECHNICAL SPECIFICATIONS

Ambient temperature	Operational -20°C/+50°C
IP protection degree	IP 65
Materials	Lens: Polycarbonate
	Housing: ABS
Lens Diameter	70 mm
LED module type	SMD
LED life duration	50,000 hrs
Light colours	Red, green, yellow, blue, white
Light modes	Steady, flashing, strobing, rotary
Voltage options	12-24 V AC/DC
	40-250 V AC/DC
	24 V AC/DC
	220 V AC
Sound	16 melodies
Volume	124 - 130 dB
Sound and Light control	Separate control available
Mounting types	Wall
Protection	Resistant to water, dust, heat and UV rays
Warranty	2 Years

STANDARD CODES AND OVERALL DIMENSIONS (mm)

Universal LED Horns



Lens Diameter	70 mm
LED module type	SMD
Light colours	Red, green, yellow, blue, white
Light modes	Steady, flashing, strobing
Sound	16 melodies
Mounting types	Wall
Markings and homologations	CE EAC RoHS

Code	Light	Buzzer	Power supply
TERMWH0100***	5 modes	124-130 dB	12-24 V AC/DC
TERMWH0101***	5 modes	124-130 dB	40-250 V AC/DC

Please, specify the colour code in your orders:

R = Red (R)

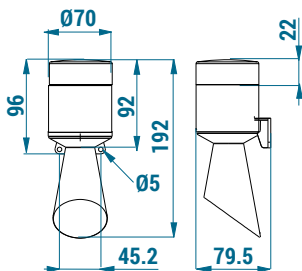
G = Green (G)

Y = Yellow (Y)

B = Blue (B)

W = White (W)

Mini Universal LED Horns



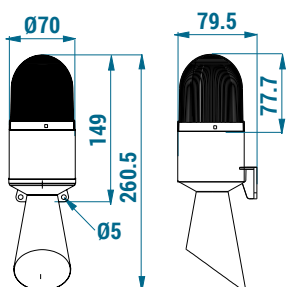
Lens Diameter	70 mm
LED module type	SMD
Light colours	Red, green, yellow, blue, white
Light modes	Steady, flashing, strobing
Sound	16 melodies
Mounting types	Wall
Markings and homologations	CE EAC RoHS

Code	Light	Buzzer	Power supply
TERMWH0200***	5 modes	124-130 dB	12-24 V AC/DC
TERMWH0201***	5 modes	124-130 dB	40-250 V AC/DC

Please, specify the colour code in your orders:

- R** = Red (R)
- G** = Green (G)
- Y** = Yellow (Y)
- B** = Blue (B)
- W** = White (W)

Industrial Crane Horns



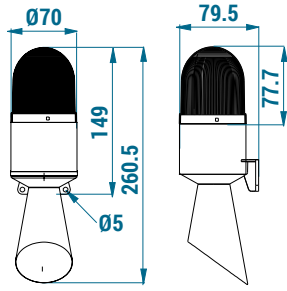
Lens Diameter	70 mm
LED module type	SMD
Light colours	Red, green, yellow, blue, white
Light modes	Steady, flashing, strobing, rotary
Sound	7 different melodies for 7 ignition inputs
Mounting types	Wall
Markings and homologations	CE EAC RoHS

Code	Light mode	Buzzer	Power supply
TERMWH0300***	Steady	124-130 dB	12-24 V AC/DC
TERMWH0301***	Steady	124-130 dB	40-250 V AC/DC
TERMWH0302***	Flashing	124-130 dB	12-24 V AC/DC
TERMWH0303***	Flashing	124-130 dB	40-250 V AC/DC
TERMWH0304***	Strobe	124-130 dB	12-24 V AC/DC
TERMWH0305***	Strobe	124-130 dB	40-250 V AC/DC
TERMWH0306***	Rotary	124-130 dB	12-24 V AC/DC
TERMWH0307***	Rotary	124-130 dB	40-250 V AC/DC

Please, specify the colour code in your orders:

- R** = Red (R)
- G** = Green (G)
- Y** = Yellow (Y)
- B** = Blue (B)
- W** = White (W)

LED Horns TERMWH04 series



Lens Diameter	70 mm
LED module type	SMD
Light colours	Red, green, yellow, blue, white
Light modes	Flashing
Sound	1 melody
Mounting types	Wall
Markings and homologations	CE EAC RoHS

Code	Light mode	Buzzer	Power supply
TERMWH0400***	Flashing	120-125 dB	24 V DC
TERMWH0401***	Flashing	120-125 dB	40-250 V AC/DC

Please, specify the colour code in your orders:

R = Red (R)

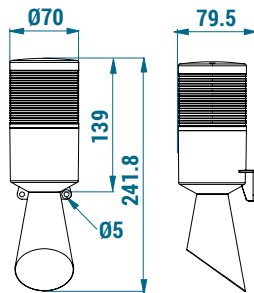
G = Green (G)

Y = Yellow (Y)

B = Blue (B)

W = White (W)

LED Horns TERMWH05 series (1 colour)



Lens Diameter	70 mm
LED module type	SMD
Light colours	Red, green, yellow, blue, white
Light modes	Steady, flashing, strobing, rotary
Sound	2 melodies
Mounting types	Wall
Markings and homologations	CE EAC RoHS

Code	Light mode	Buzzer	Power supply
TERMWH0500***	Flashing - Steady	120 dB	12-24 V AC/DC
TERMWH0501***	Flashing - Steady	120 dB	40-250 V AC/DC
TERMWH0502***	Strobe	120 dB	12-24 V AC/DC
TERMWH0503***	Strobe	120 dB	40-250 V AC/DC
TERMWH0504***	Rotary	120 dB	12-24 V AC/DC
TERMWH0505***	Rotary	120 dB	40-250 V AC/DC

Please, specify the colour code in your orders:

R = Red (R)

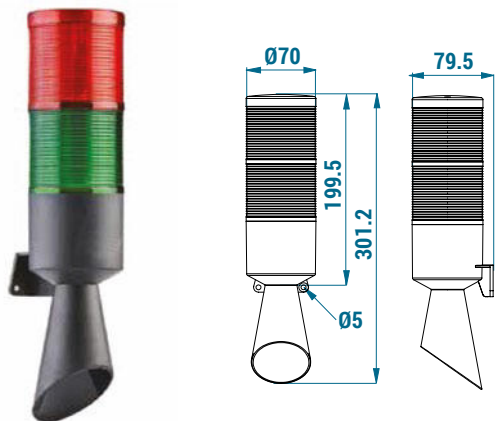
G = Green (G)

Y = Yellow (Y)

B = Blue (B)

W = White (W)

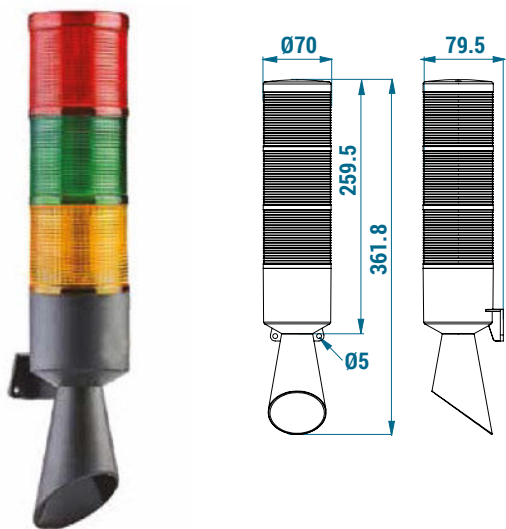
LED Horns TERMWH06 series (2 colours)



Lens Diameter	70 mm
LED module type	SMD
Light colours	Red - green
Light modes	Steady, flashing, strobing, rotary
Sound	2 melodies
Mounting types	Wall
Markings and homologations	CE EAC RoHS

Code	Light mode	Colour	Buzzer	Power supply
TERMWH0600	Flashing - Steady	Red - green	120 dB	12-24 V AC/DC
TERMWH0601	Flashing - Steady	Red - green	120 dB	40-250 V AC/DC
TERMWH0602	Strobe	Red - green	120 dB	12-24 V AC/DC
TERMWH0603	Strobe	Red - green	120 dB	40-250 V AC/DC
TERMWH0604	Rotary	Red - green	120 dB	12-24 V AC/DC
TERMWH0605	Rotary	Red - green	120 dB	40-250 V AC/DC

LED Horns TERMWH07 series (3 colours)



Lens Diameter	70 mm
LED module type	SMD
Light colours	Red - green - yellow
Light modes	Steady, flashing, strobing, rotary
Sound	2 melodies
Mounting types	Wall
Markings and homologations	CE EAC RoHS

Code	Light mode	Colour	Buzzer	Power supply
TERMWH0700	Flashing - Steady	Red - green - yellow	120 dB	12-24 V AC/DC
TERMWH0701	Flashing - Steady	Red - green - yellow	120 dB	40-250 V AC/DC
TERMWH0702	Strobe	Red - green - yellow	120 dB	12-24 V AC/DC
TERMWH0703	Strobe	Red - green - yellow	120 dB	40-250 V AC/DC
TERMWH0704	Rotary	Red - green - yellow	120 dB	12-24 V AC/DC
TERMWH0705	Rotary	Red - green - yellow	120 dB	40-250 V AC/DC

LED WARNING HORNS - SPARE PARTS

Description	Category	Colour	Code
Ø70 Mini PC-Lens	Mini Series	Red	TERMSP0106R
Ø70 Mini PC-Lens	Mini Series	Green	TERMSP0106G
Ø70 Mini PC-Lens	Mini Series	Yellow	TERMSP0106Y
Ø70 Mini PC-Lens	Mini Series	Blue	TERMSP0106B
Ø70 Mini PC-Lens	Mini Series	Transparent	TERMSP0106W
Ø70 PC-Lens	LED Horns TERMWH04 series	Red	TERMSP0103R
Ø70 PC-Lens	LED Horns TERMWH04 series	Green	TERMSP0103G
Ø70 PC-Lens	LED Horns TERMWH04 series	Yellow	TERMSP0103Y
Ø70 PC-Lens	LED Horns TERMWH04 series	Blue	TERMSP0103B
Ø70 PC-Lens	LED Horns TERMWH04 series	Transparent	TERMSP0103W
Ø70 PC-Lens	LED Horns TERMWH05-TERMWH06-TERMWH07 series	Red	TERMSP0105R
Ø70 PC-Lens	LED Horns TERMWH05-TERMWH06-TERMWH07 series	Green	TERMSP0105G
Ø70 PC-Lens	LED Horns TERMWH05-TERMWH06-TERMWH07 series	Yellow	TERMSP0105Y
Ø70 PC-Lens	LED Horns TERMWH05-TERMWH06-TERMWH07 series	Blue	TERMSP0105B
Ø70 PC-Lens	LED Horns TERMWH05-TERMWH06-TERMWH07 series	Transparent	TERMSP0105W
Ø70 PC-Lens Cover	LED Horns TERMWH05-TERMWH06-TERMWH07 series	Red	TERMSP0104R
Ø70 PC-Lens Cover	LED Horns TERMWH05-TERMWH06-TERMWH07 series	Green	TERMSP0104G
Ø70 PC-Lens Cover	LED Horns TERMWH05-TERMWH06-TERMWH07 series	Yellow	TERMSP0104Y
Ø70 PC-Lens Cover	LED Horns TERMWH05-TERMWH06-TERMWH07 series	Blue	TERMSP0104B
Ø70 PC-Lens Cover	LED Horns TERMWH05-TERMWH06-TERMWH07 series	Transparent	TERMSP0104W

BEACON HORNS

Multi-sound with Multi-light Beacon Horns offering a perfect match, which aims at the highest quality in audio and signaling alerting. Depending on the model, they are available with 2.7 and 16 options up to 130dB.

Suitable for use on cranes, weaving machines, ships, in mines, ports, warehouses, panels, electronic control panels and in several industries such as mechanical engineering, automation, automotive.



CERTIFICATIONS

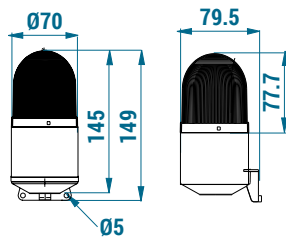
Conformity to Community Directives	2014/35/UE Low Voltage Directive
Conformity to CE Standards	EN 60598-1 Luminaires - General requirements and tests
	EN 60529-1 Degrees of protection provided by enclosures
Markings and homologations	CE EAC RoHS

GENERAL TECHNICAL SPECIFICATIONS

Ambient temperature	Operational -20°C/+50°C
IP protection degree	IP 65
Materials	Lens: Polycarbonate
	Housing: ABS
Lens Diameter	70 mm
LED module type	SMD
LED life duration	50,000 hrs
Light colours	Red, green, yellow, blue, white
Light modes	Steady, flashing, strobing, rotary
Voltage options	12-24 V AC/DC
	40-250 V AC/DC
	24 V AC/DC
	220 V AC
Sound	16 melodies
Volume	124 - 130 dB
Sound and Light control	Separate control available
Mounting types	Wall
Protection	Resistant to water, dust, heat and UV rays
Warranty	2 Years

STANDARD CODES AND OVERALL DIMENSIONS (mm)

Universal Beacon Horns



Lens Diameter	70 mm
LED module type	SMD
Light colours	Red, green, yellow, blue, white
Light modes	Steady, flashing, strobing
Sound	16 melodies
Mounting types	Wall
Markings and homologations	CE EAC RoHS

Code	Light	Buzzer	Power supply
TERMBH0100***	3 modes	95-127 dB	12-24 V AC/DC
TERMBH0101***	3 modes	95-127 dB	40-250 V AC/DC

Please, specify the colour code in your orders:

R = Red (R)

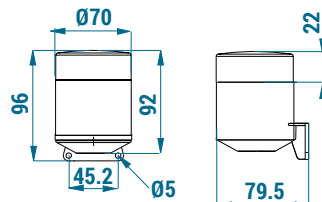
G = Green (G)

Y = Yellow (Y)

B = Blue (B)

W = White (W)

Mini Universal Beacon Horns



Lens Diameter	70 mm
LED module type	SMD
Light colours	Red, green, yellow, blue, white
Light modes	Steady, flashing, strobing
Sound	16 melodies
Mounting types	Wall
Markings and homologations	CE EAC RoHS

Code	Light	Buzzer	Power supply
TERMBH0200***	3 modes	95-127 dB	12-24 V AC/DC
TERMBH0201***	3 modes	95-127 dB	40-250 V AC/DC

Please, specify the colour code in your orders:

R = Red (R)

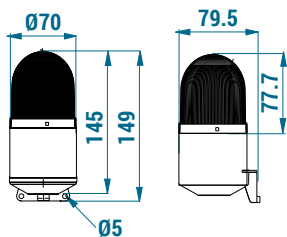
G = Green (G)

Y = Yellow (Y)

B = Blue (B)

W = White (W)

Industrial Crane Horns



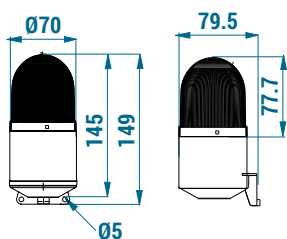
Lens Diameter	70 mm
LED module type	SMD
Light colours	Red, green, yellow, blue, white
Light modes	Steady, flashing, strobing, rotary
Sound	7 different melodies for 7 ignition inputs
Mounting types	Wall
Markings and homologations	CE EAC RoHS

Code	Light	Buzzer	Power supply
TERMBH0300***	Steady	124-130 dB	12-24 V AC/DC
TERMBH0301***	Steady	124-130 dB	40-250 V AC/DC
TERMBH0302***	Flashing	124-130 dB	12-24 V AC/DC
TERMBH0303***	Flashing	124-130 dB	40-250 V AC/DC
TERMBH0304***	Strobe	124-130 dB	12-24 V AC/DC
TERMBH0305***	Strobe	124-130 dB	40-250 V AC/DC
TERMBH0306***	Rotary	124-130 dB	12-24 V AC/DC
TERMBH0307***	Rotary	124-130 dB	40-250 V AC/DC

Please, specify the colour code in your orders:

- R** = Red (R)
- G** = Green (G)
- Y** = Yellow (Y)
- B** = Blue (B)
- W** = White (W)

Beacon Horns TERMBH04 series



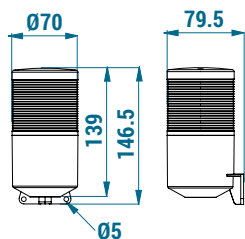
Lens Diameter	70 mm
LED module type	SMD
Light colours	Red, green, yellow, blue, white
Light modes	Flashing
Sound	1 melody
Mounting types	Wall
Markings and homologations	CE EAC RoHS

Code	Light	Buzzer	Power supply
TERMBH0400***	Flashing	120-125 dB	24 V DC
TERMBH0401***	Flashing	120-125 dB	40-250 V AC/DC

Please, specify the colour code in your orders:

- R** = Red (R)
- G** = Green (G)
- Y** = Yellow (Y)
- B** = Blue (B)
- W** = White (W)

Beacon Horns TERMBH05 series (1 colour)



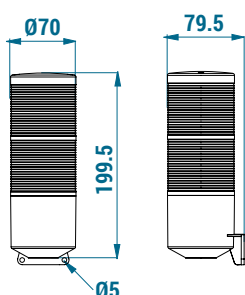
Lens Diameter	70 mm
LED module type	SMD
Light colours	Red, green, yellow, blue, white
Light modes	Steady, flashing, strobing, rotary
Sound	2 melodies
Mounting types	Wall
Markings and homologations	CE EAC RoHS

Code	Light mode	Buzzer	Power supply
TERMBH0500***	Flashing - Steady	120 dB	12-24 V AC/DC
TERMBH0501***	Flashing - Steady	120 dB	40-250 V AC/DC
TERMBH0502***	Strobe	120 dB	12-24 V AC/DC
TERMBH0503***	Strobe	120 dB	40-250 V AC/DC
TERMBH0504***	Rotary	120 dB	12-24 V AC/DC
TERMBH0505***	Rotary	120 dB	40-250 V AC/DC

Please, specify the colour code in your orders:

- R** = Red (R)
- G** = Green (G)
- Y** = Yellow (Y)
- B** = Blue (B)
- W** = White (W)

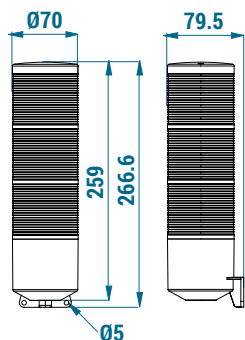
Beacon Horns TERMBH06 series (2 colours)



Lens Diameter	70 mm
LED module type	SMD
Light colours	Red - green
Light modes	Steady, flashing, strobing, rotary
Sound	2 melodies
Mounting types	Wall
Markings and homologations	CE EAC RoHS

Code	Light mode	Colour	Buzzer	Power supply
TERMBH0600	Flashing - Steady	Red - green	120 dB	12-24 V AC/DC
TERMBH0601	Flashing - Steady	Red - green	120 dB	40-250 V AC/DC
TERMBH0602	Strobe	Red - green	120 dB	12-24 V AC/DC
TERMBH0603	Strobe	Red - green	120 dB	40-250 V AC/DC
TERMBH0604	Rotary	Red - green	120 dB	12-24 V AC/DC
TERMBH0605	Rotary	Red - green	120 dB	40-250 V AC/DC

Beacon Horns TERMBH07 series (3 colours)



Lens Diameter	70 mm
LED module type	SMD
Light colours	Red - green - yellow
Light modes	Steady, flashing, strobing, rotary
Sound	2 melodies
Mounting types	Wall
Markings and homologations	CE EAC RoHS

Code	Light mode	Colour	Buzzer	Power supply
TERMBH0700	Flashing - Steady	Red - green - yellow	120 dB	12-24 V AC/DC
TERMBH0701	Flashing - Steady	Red - green - yellow	120 dB	40-250 V AC/DC
TERMBH0702	Strobe	Red - green - yellow	120 dB	12-24 V AC/DC
TERMBH0703	Strobe	Red - green - yellow	120 dB	40-250 V AC/DC
TERMBH0704	Rotary	Red - green - yellow	120 dB	12-24 V AC/DC
TERMBH0705	Rotary	Red - green - yellow	120 dB	40-250 V AC/DC

BEACON HORNS - SPARE PARTS

Description	Category	Colour	Code
Ø70 Mini PC-Lens	Mini Series	Red	TERMSP0106R
Ø70 Mini PC-Lens	Mini Series	Green	TERMSP0106G
Ø70 Mini PC-Lens	Mini Series	Yellow	TERMSP0106Y
Ø70 Mini PC-Lens	Mini Series	Blue	TERMSP0106B
Ø70 Mini PC-Lens	Mini Series	Transparent	TERMSP0106W
Ø70 PC-Lens	Beacon Horns TERMBH04 series	Red	TERMSP0103R
Ø70 PC-Lens	Beacon Horns TERMBH04 series	Green	TERMSP0103G
Ø70 PC-Lens	Beacon Horns TERMBH04 series	Yellow	TERMSP0103Y
Ø70 PC-Lens	Beacon Horns TERMBH04 series	Blue	TERMSP0103B
Ø70 PC-Lens	Beacon Horns TERMBH04 series	Transparent	TERMSP0103W
Ø70 PC-Lens	Beacon Horn TERMBH05 - TERMBH06 - TERMBH07 series	Red	TERMSP0105R
Ø70 PC-Lens	Beacon Horn TERMBH05 - TERMBH06 - TERMBH07 series	Green	TERMSP0105G
Ø70 PC-Lens	Beacon Horn TERMBH05 - TERMBH06 - TERMBH07 series	Yellow	TERMSP0105Y
Ø70 PC-Lens	Beacon Horn TERMBH05 - TERMBH06 - TERMBH07 series	Blue	TERMSP0105B
Ø70 PC-Lens	Beacon Horn TERMBH05 - TERMBH06 - TERMBH07 series	Transparent	TERMSP0105W
Ø70 PC-Lens Cover	Beacon Horn TERMBH05 - TERMBH06 - TERMBH07 series	Red	TERMSP0104R
Ø70 PC-Lens Cover	Beacon Horn TERMBH05 - TERMBH06 - TERMBH07 series	Green	TERMSP0104G
Ø70 PC-Lens Cover	Beacon Horn TERMBH05 - TERMBH06 - TERMBH07 series	Yellow	TERMSP0104Y
Ø70 PC-Lens Cover	Beacon Horn TERMBH05 - TERMBH06 - TERMBH07 series	Blue	TERMSP0104B
Ø70 PC-Lens Cover	Beacon Horn TERMBH05 - TERMBH06 - TERMBH07 series	Transparent	TERMSP0104W

ELECTRONIC SIRENS

Electronic sirens ideal for providing sound signals in case of emergency or warning in potential imminent critical situations.



CERTIFICATIONS

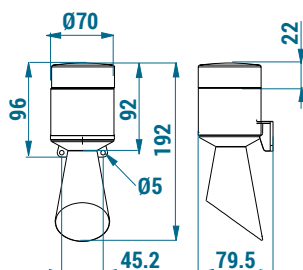
Conformity to Community Directives	2014/35/UE Low Voltage Directive
Conformity to CE Standards	EN 60598-1 Luminaires - General requirements and tests
	EN 60529-1 Degrees of protection provided by enclosures
Markings and homologations	CE EAC RoHS

GENERAL TECHNICAL SPECIFICATIONS

Ambient temperature	Operational -20°C/+50°C
IP protection degree	IP 65
Materials	Housing: ABS
	12-24 V AC/DC
Voltage options	40-250 V AC/DC
	24 V DC
	12 V DC
	220 V AC
Sound Options	16/ 7/ 2/ 1 melodies
Sound	7 different melodies for 7 ignition inputs
Volume	92 - 130 dB
Mounting types	Surface & Wall
Protection	Resistant to water, dust, heat and UV rays
Warranty	2 Years

STANDARD CODES AND OVERALL DIMENSIONS (mm)

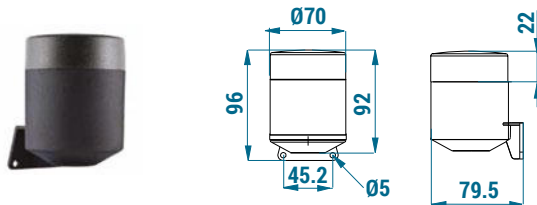
Wall Mounted Horns



Diameter	70 mm
Volume	105-130 dB
Mounting types	Wall
Markings and homologations	CE EAC RoHS

Code	Type	Power supply
TERMES0100	16 Melodies	12-24 V AC/DC
TERMES0101	16 Melodies	40-250 V AC/DC
TERMES0102	2 Melodies	12-24 V AC/DC
TERMES0103	2 Melodies	40-250 V AC/DC
TERMES0104	7 different melodies for 7 ignition inputs	12-24 V AC/DC
TERMES0105	7 different melodies for 7 ignition inputs	40-250 V AC/DC

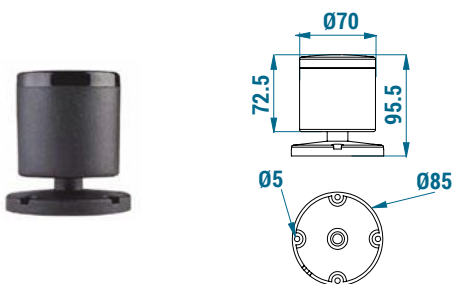
Wall Mounted Short Horns



Diameter	70 mm
Volume	95-127 dB
Mounting types	Wall
Markings and homologations	CE EAC RoHS

Code	Type	Power supply
TERMES0200	16 Melodies	12-24 V AC/DC
TERMES0201	16 Melodies	40-250 V AC/DC
TERMES0202	2 Melodies	12-24 V AC/DC
TERMES0203	2 Melodies	40-250 V AC/DC
TERMES0204	7 different melodies for 7 ignition inputs	12-24 V AC/DC
TERMES0205	7 different melodies for 7 ignition inputs	40-250 V AC/DC

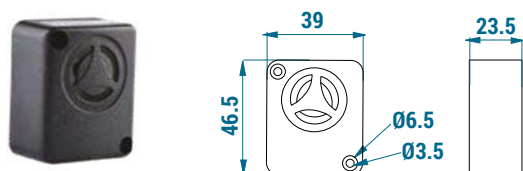
Surface Mounted Horns



Diameter	70 mm
Volume	95-127 dB
Mounting types	Surface & Wall
Markings and homologations	CE EAC RoHS

Code	Type	Power supply
TERMES0300	Continuous-Intermittent	12-24 V AC/DC
TERMES0301	Intermittent	24 V DC
TERMES0302	Continuous-Intermittent	40-250 V AC/DC
TERMES0303	Intermittent	220 V AC/DC

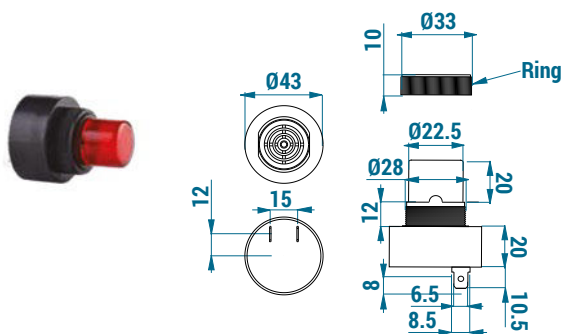
Square Buzzers



Dimensions	40 x 45 mm
Volume	127 dB
Markings and homologations	CE EAC RoHS

Code	Type	Power supply
TERMES0400	Intermittent	12 V DC

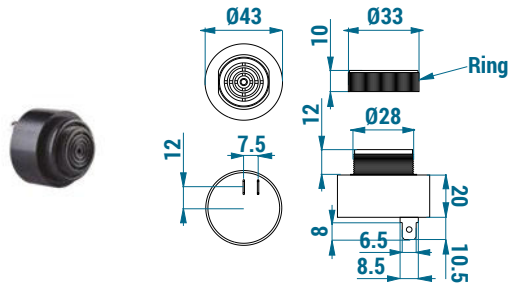
M30 LED Buzzers



Diameter	30 mm
Volume	105-110 dB
LED colour	Red
Markings and homologations	CE EAC RoHS

Code	Type	Light mode	Power supply
TERMES0600	Intermittent	Flashing	220 V AC
TERMES0601	Intermittent	Flashing	24V DC

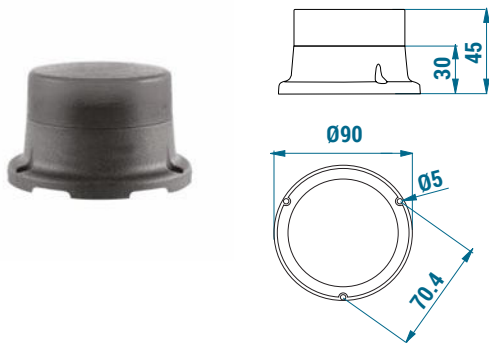
M30 Buzzers



Diameter	30 mm
Volume	105-110 dB
IP protection degree	IP 68
Markings and homologations	CE EAC RoHS

Code	Type	Power supply
TERMES0500	Continuous	220 V AC
TERMES0501	Continuous	24V DC
TERMES0502	Intermittent	220 V AC
TERMES0503	Intermittent	24V DC
TERMES0504	Intermittent	220 V AC
TERMES0505	Intermittent	24V DC

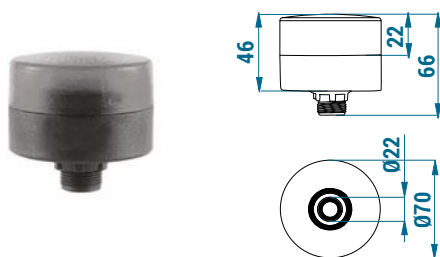
Mini Electronic Sirens



Diameter	70 mm
Sound	1 melody
Volume	85-105 dB
Mounting types	Surface & Wall
Markings and homologations	CE EAC RoHS

Code	Type	Power supply
TERMES0700	Continuous	24V DC
TERMES0701	Continuous	40-250 V AC/DC
TERMES0702	Intermittent	24 V DC
TERMES0703	Intermittent	40-250 V AC/DC

22 mm Hole Mounted Mini Electronic Sirens



Diameter	70 mm
Sound	1 melody
Volume	90-100 dB
Mounting types	M22 nut connection
Markings and homologations	CE EAC RoHS

Code	Type	Power supply
TERMES0800	Continuous	24V DC
TERMES0801	Continuous	40-250 V AC/DC
TERMES0802	Intermittent	24 V DC
TERMES0803	Intermittent	40-250 V AC/DC

ELECTRONIC SIRENS - SPARE PARTS

Description	Category	Colour	Code
Ø70 ABS Mini Cover	Mini Series	Black	TERMSP0200
Ø70 PC Cover	Mini Series	Black	TERMSP0201
10cm Metal Extension Tube	Mini Series	Grey	TERMSP0800T10
20cm Metal Extension Tube	Mini Series	Grey	TERMSP0800T20
30cm Metal Extension Tube	Mini Series	Grey	TERMSP0800T30
ABS Foldable Base	Beacon Horn	Black	TERMSP0501
ABS Wall Bracket	Beacon Horn	Black	TERMSP0502
Ø70 Metal Wall Bracket	Beacon Horn	Black	TERMSP0604

OBSTRUCTION LIGHTS

Low-intensity B Type Obstruction Lights manufactured in compliance with ICAO (Annex 14) Standards. Depending on the level of light, they activate in the dark and deactivate in the daylight, without considering any temporary loss of light within 30 seconds and eliminating the light illusion. They provide NO and NC relay output over 30% in case of light loss and power failure. Suitable for making skyscrapers, towers, and wind turbines visible to passing aircraft, featuring a 360° view range from 10 Km.



CERTIFICATIONS

Conformity to Community Directives	2014/35/UE Low Voltage Directive
Conformity to CE Standards	EN 60598-1 Luminaires - General requirements and tests
	EN 60529-1 Degrees of protection provided by enclosures
Markings and homologations	CE EAC RoHS

GENERAL TECHNICAL SPECIFICATIONS

Ambient temperature	Operational -20°C/+50°C
IP protection degree	IP 65
Materials	Lens: Polycarbonate
	Housing: ABS, metal
Lens Diameter	100 mm and 125 mm
LED module type	SMD
LED life duration	50,000 hrs
Light colours	Red, green, yellow, blue, white
Light modes	Steady, flashing, strobing
Voltage options	12 V DC
	24 V DC
	48 V DC
	85-250 V AC/DC
Mounting types	Surface & Wall
Protection	Resistant to water, dust, heat and UV rays
Visibility distance	10 Km
Visibility degree	360°
Option	Wireless (only for Solar Obstruction Light)
Warranty	2 Years

STANDARD CODES AND OVERALL DIMENSIONS (mm)

100 Obstruction Lights



Lens Diameter	100 mm
Light colours	Red, green, yellow, blue, white
Light modes	Steady, flashing, strobing
Housing	ABS
Mounting types	Surface & Wall
Markings and homologations	CE EAC RoHS

Code	Light	Power supply
TERMOL0100***	3 modes	12 V DC
TERMOL0101***	3 modes	24 V DC
TERMOL0102***	3 modes	48 V DC
TERMOL0103***	3 modes	85-250 V AC/DC

Please, specify the colour code in your orders:

R = Red (R)

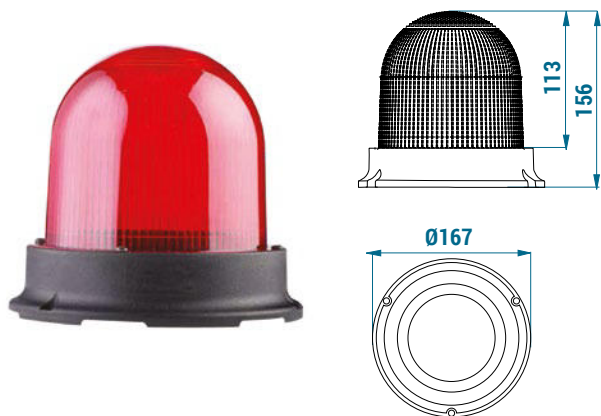
G = Green (G)

Y = Yellow (Y)

B = Blue (B)

W = White (W)

125 Obstruction Lights



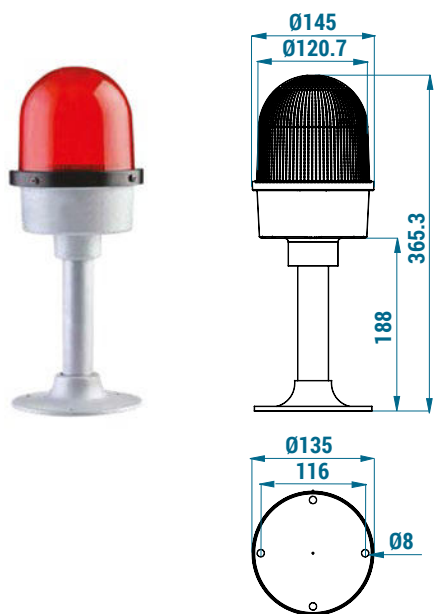
Lens Diameter	125 mm
Light colours	Red, green, yellow, blue, white
Light modes	Steady, flashing, strobing
Housing	ABS
Mounting types	Surface & Wall
Markings and homologations	CE EAC RoHS

Code	Light	Power supply
TERMOL0200***	3 modes	12 V DC
TERMOL0201***	3 modes	24 V DC
TERMOL0202***	3 modes	48 V DC
TERMOL0203***	3 modes	85-250 V AC/DC

Please, specify the colour code in your orders:

- R** = Red (R)
- G** = Green (G)
- Y** = Yellow (Y)
- B** = Blue (B)
- W** = White (W)

Base Mounted Obstruction Lights



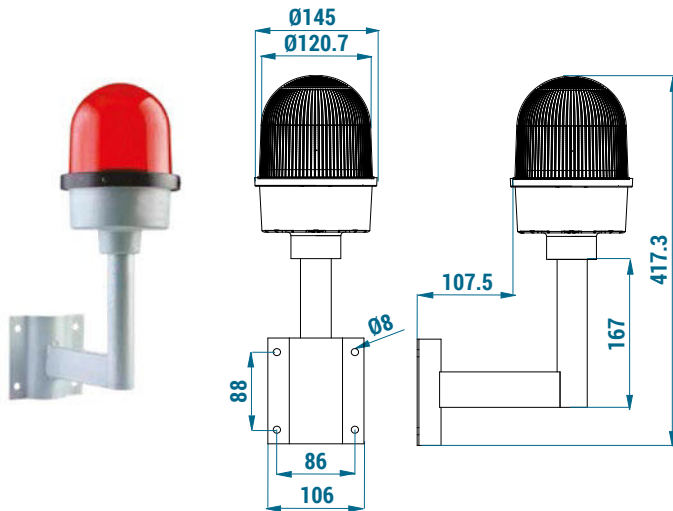
Lens Diameter	125 mm
Light colours	Red, green, yellow, blue, white
Light modes	Steady, flashing, strobing
Housing	Metal
Mounting types	Surface
Markings and homologations	CE EAC RoHS

Code	Light	Power supply
TERMOL0300***	3 modes	12 V DC
TERMOL0301***	3 modes	24 V DC
TERMOL0302***	3 modes	48 V DC
TERMOL0303***	3 modes	85-250 V AC/DC

Please, specify the colour code in your orders:

- R** = Red (R)
- G** = Green (G)
- Y** = Yellow (Y)
- B** = Blue (B)
- W** = White (W)

Single Arm Obstruction Lights



Lens Diameter	125 mm
Light colours	Red, green, yellow, blue, white
Light modes	Steady, flashing, strobing
Housing	Metal
Mounting types	Wall
Markings and homologations	CE EAC RoHS

Code	Light	Power supply
TERMOL0400***	3 modes	12 V DC
TERMOL0401***	3 modes	24 V DC
TERMOL0402***	3 modes	48 V DC
TERMOL0403***	3 modes	85-250 V AC/DC

Please, specify the colour code in your orders:

R = Red (R)

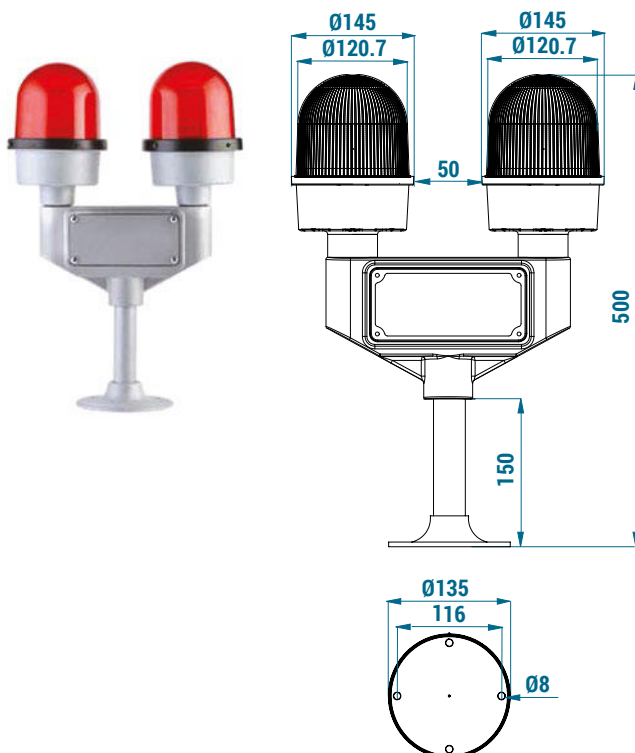
G = Green (G)

Y = Yellow (Y)

B = Blue (B)

W = White (W)

Dual Arm Obstruction Lights



Lens Diameter	125 mm
Light colours	Red, green, yellow, blue, white
Light modes	Steady, flashing, strobing
Housing	Metal
Mounting types	Surface
Markings and homologations	CE EAC RoHS

A single lamp operates in the Dual Obstruction Lights. In case of 30% light loss or damage, the other lamp turns on automatically.

Code	Light	Power supply
TERMOL0500***	3 modes	12 V DC
TERMOL0501***	3 modes	24 V DC
TERMOL0502***	3 modes	48 V DC
TERMOL0503***	3 modes	85-250 V AC/DC

Please, specify the colour code in your orders:

R = Red (R)

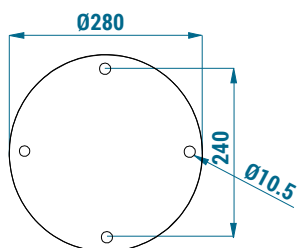
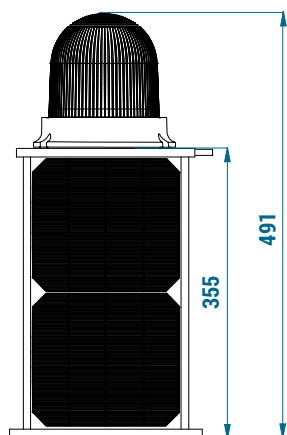
G = Green (G)

Y = Yellow (Y)

B = Blue (B)

W = White (W)

Base Mounted Solar Obstruction Lights



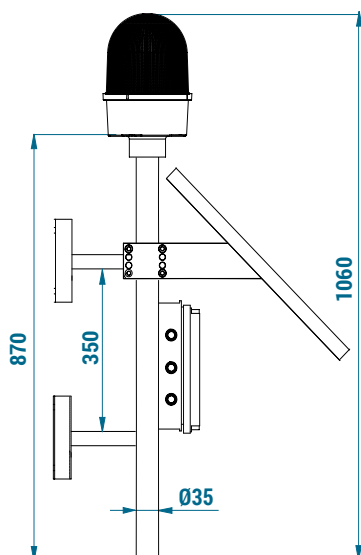
Lens Diameter	125 mm
Light colours	Red, green, yellow, blue, white
Light modes	Flashing
Housing	ABS / Metal
Mounting types	Surface
Power supply	20 W Solar Panel
Markings and homologations	CE EAC RoHS

Code	Light	Power supply
TERMOL0600***	Flashing	Solar Energy

Please, specify the colour code in your orders:

- R** = Red (R)
- G** = Green (G)
- Y** = Yellow (Y)
- B** = Blue (B)
- W** = White (W)

Base Mounted Solar Obstruction Lights



Lens Diameter	125 mm
Light colours	Red, green, yellow, blue, white
Light modes	Flashing
Housing	Metal
Mounting types	Wall
Power supply	20 W Solar Panel
Markings and homologations	CE EAC RoHS

Code	Light	Power supply
TERMOL0700***	Flashing	Solar Energy

Please, specify the colour code in your orders:

- R** = Red (R)
- G** = Green (G)
- Y** = Yellow (Y)
- B** = Blue (B)
- W** = White (W)

OBSTRUCTION LIGHTS - SPARE PARTS

Description	Category	Colour	Code
Ø125 PC-Lens	Obstruction Light	Red	TERMSP0100R
Ø125 PC-Lens	Obstruction Light	Green	TERMSP0100G
Ø125 PC-Lens	Obstruction Light	Yellow	TERMSP0100Y
Ø125 PC-Lens	Obstruction Light	Blue	TERMSP0100B
Ø125 PC-Lens	Obstruction Light	White	TERMSP0100W
Metal Wall Bracket	Obstruction Light	Grey	TERMSP0400
Metal Surface Bracket	Obstruction Light	Grey	TERMSP0401

HEAVY DUTY WARNING LIGHTS

Matching of industrial illuminated sirens, warning lamps and electronic sirens, resistant to harsh weather conditions. Designed to operate in the most severe conditions in industrial areas. They are produced in strobe light mode.



CERTIFICATIONS

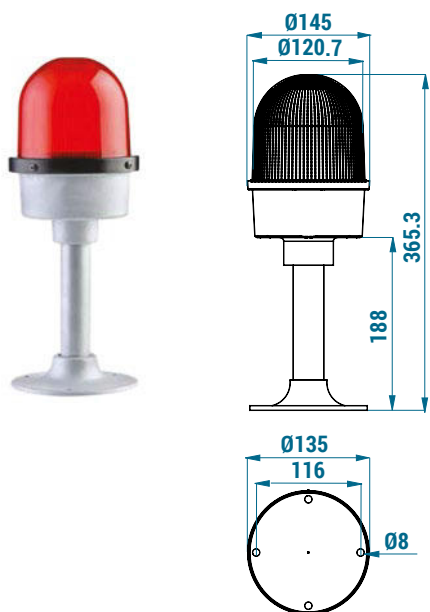
Conformity to Community Directives	2014/35/UE Low Voltage Directive
Conformity to CE Standards	EN 60598-1 Luminaires - General requirements and tests
	EN 60529-1 Degrees of protection provided by enclosures
Markings and homologations	CE ENEC RoHS

GENERAL TECHNICAL SPECIFICATIONS

Ambient temperature	Operational -20°C/+50°C
IP protection degree	IP 65
Materials	Lens: Polycarbonate
	Housing: ABS, metal
Lens Diameter	125 mm
LED module type	3 W Power
LED life duration	50,000 hrs
Light colours	Red, green, yellow, blue, white
Light modes	Steady, flashing, strobing, rotary
Sound	7 melodies
Volume	90 - 133 dB
Sound and Light control	Separate control available
	12-24 V AC/DC
Voltage options	12-30 V AC/DC
	48 V DC
	85-250 V AC/DC
Mounting types	Surface & Wall
Protection	Resistant to water, dust, heat and UV rays
Warranty	2 Years

STANDARD CODES AND OVERALL DIMENSIONS (mm)

Heavy Duty Warning Lights TERMHD01 series



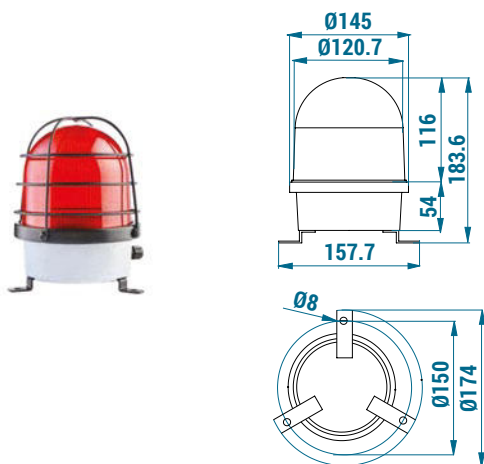
Lens Diameter	125 mm
LED module type	3 W Power
Light colours	Red, green, yellow, blue, white
Light modes	Strobing
Sound	10 melodies
Housing	Metal
Mounting types	Surface
Protection Cage against strokes	Yes
Markings and homologations	CE EAC RoHS

Code	Buzzer	Protection Cage	Power supply
TERMHD0100***	/	/	12-24 V AC/DC
TERMHD0101***	/	/	85-250 V AC/DC
TERMHD0102***	90-126 dB	/	12-24 V AC/DC
TERMHD0103***	90-126 dB	/	85-250 V AC/DC
TERMHD0104***	/	Yes	12-24 V AC/DC
TERMHD0105***	/	Yes	85-250 V AC/DC
TERMHD0106***	90-126 dB	Yes	12-24 V AC/DC
TERMHD0107***	90-126 dB	Yes	85-250 V AC/DC

Please, specify the colour code in your orders:

- R** = Red (R)
- G** = Green (G)
- Y** = Yellow (Y)
- B** = Blue (B)
- W** = White (W)

Heavy Duty Warning Lights TERMHD02 series



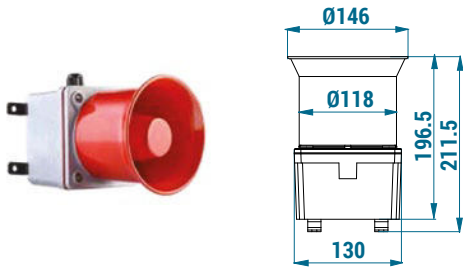
Lens Diameter	125 mm
LED module type	3 W Power
Light colours	Red, green, yellow, blue, white
Light modes	Strobing
Sound	10 melodies
Housing	Metal
Mounting types	Surface & Wall
Protection Cage against strokes	Yes
Markings and homologations	CE EAC RoHS

Code	Buzzer	Protection Cage	Power supply
TERMHD0200***	/	/	12-24 V AC/DC
TERMHD0201***	/	/	85-250 V AC/DC
TERMHD0202***	90-126 dB	/	12-24 V AC/DC
TERMHD0203***	90-126 dB	/	85-250 V AC/DC
TERMHD0204***	/	Yes	12-24 V AC/DC
TERMHD0205***	/	Yes	85-250 V AC/DC
TERMHD0206***	90-126 dB	Yes	12-24 V AC/DC
TERMHD0207***	90-126 dB	Yes	85-250 V AC/DC

Please, specify the colour code in your orders:

- R** = Red (R)
- G** = Green (G)
- Y** = Yellow (Y)
- B** = Blue (B)
- W** = White (W)

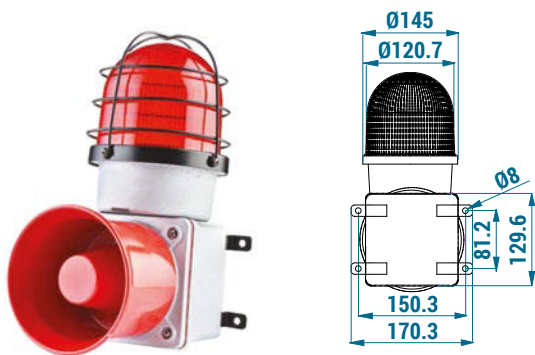
Heavy Duty Warning Sirens TERMHD03 series



Sound	7 melodies
Housing	Metal
Mounting types	Surface & Wall
Markings and homologations	CE EAC RoHS

Code	Buzzer	Power supply
TERMHD0300	125-133 dB	12-30 V DC
TERMHD0301	125-133 dB	48 V DC
TERMHD0302	125-133 dB	85-250 V AC/DC

Heavy Duty Beacon Sirens TERMHD04 series



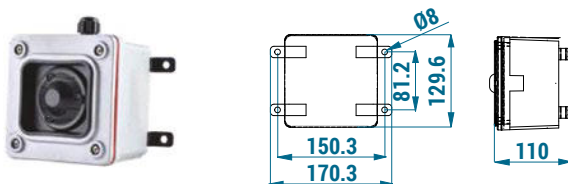
Lens Diameter	125 mm
LED module type	3 W Power
Light colours	Red, green, yellow, blue, white
Light modes	Strobing
Sound	7 melodies
Housing	Metal
Mounting types	Surface & Wall
Protection Cage against strokes	Yes
Markings and homologations	CE EAC RoHS

Code	Buzzer	Protection Cage	Power supply
TERMHD0400***	125-133 dB	Yes	12-30 V DC
TERMHD0401***	125-133 dB	Yes	48 V DC
TERMHD0402***	125-133 dB	Yes	85-250 V AC/DC

Please, specify the colour code in your orders:

- R** = Red (R)
- G** = Green (G)
- Y** = Yellow (Y)
- B** = Blue (B)
- W** = White (W)

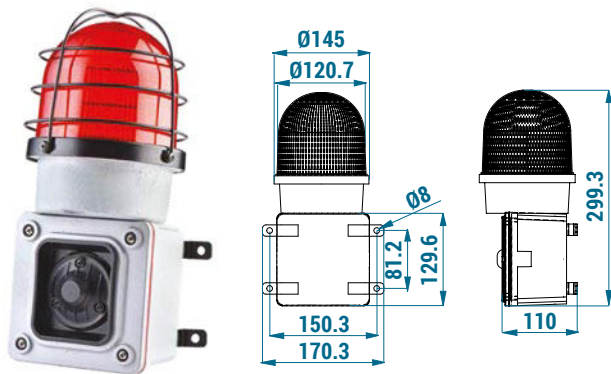
Heavy Duty Warning Sirens TERMHD05 series



Sound	7 melodies
Housing	Metal
Mounting types	Surface & Wall
Markings and homologations	CE EAC RoHS

Code	Buzzer	Power supply
TERMHD0500	125-133 dB	12-30 V DC
TERMHD0501	125-133 dB	48 V DC
TERMHD0502	125-133 dB	85-250 V AC/DC

Heavy Duty Beacon Sirens TERMHD06 series



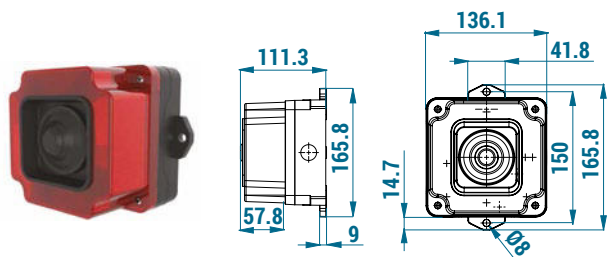
Lens Diameter	125 mm
LED module type	3 W Power
Light colours	Red, green, yellow, blue, white
Light modes	Strobing
Sound	7 melodies
Housing	Metal
Mounting types	Surface & Wall
Protection Cage against strokes	Yes
Markings and homologations	CE EAC RoHS

Code	Buzzer	Protection Cage	Power supply
TERMHD0600***	125-133 dB	Yes	12-30 V DC
TERMHD0601***	125-133 dB	Yes	48 V DC
TERMHD0602***	125-133 dB	Yes	85-250 V AC/DC

Please, specify the colour code in your orders:

- R** = Red (R)
- G** = Green (G)
- Y** = Yellow (Y)
- B** = Blue (B)
- W** = White (W)

Heavy Duty Beacon Sirens TERMHD07 series



LED module type	SMD LED
Light colours	Red, green, yellow, blue, white
Light modes	Steady, flashing, strobing
Sound	7 melodies
Housing	ABS
Mounting types	Wall
Markings and homologations	CE EAC RoHS

Code	Buzzer	Power supply
TERMHD0700***	125-133 dB	12-30 V DC
TERMHD0701***	125-133 dB	48 V DC
TERMHD0702***	125-133 dB	85-250 V AC/DC

Please, specify the colour code in your orders:

- R** = Red (R)
- G** = Green (G)
- Y** = Yellow (Y)
- B** = Blue (B)
- W** = White (W)

HEAVY DUTY WARNING LIGHTS - SPARE PARTS

Description	Category	Colour	Code
Ø125 PC-Lens	Heavy-Duty Sirens	Red	TERMSP0100R
Ø125 PC-Lens	Heavy-Duty Sirens	Green	TERMSP0100G
Ø125 PC-Lens	Heavy-Duty Sirens	Yellow	TERMSP0100Y
Ø125 PC-Lens	Heavy-Duty Sirens	Blue	TERMSP0100B
Ø125 PC-Lens	Heavy-Duty Sirens	White	TERMSP0100W
Ø125 Metal Protection Cage	Heavy-Duty Sirens	Grey	TERMSP0700
Metal Surface Bracket	Heavy-Duty Sirens	Grey	TERMSP0401

CRANE & FORKLIFT SAFETY LIGHTS

Suitable to be mounted on cranes and forklifts, they provide the operators with a better control over the load and increase their safety at work, especially in crowded workspaces.



CERTIFICATIONS

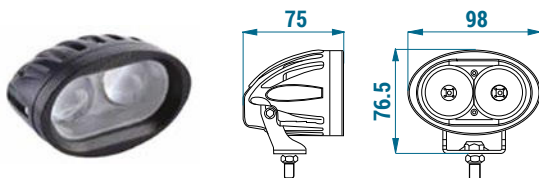
Conformity to Community Directives	2014/35/UE Low Voltage Directive
Conformity to CE Standards	EN 60598-1 Luminaires - General requirements and tests
	EN 60529-1 Degrees of protection provided by enclosures
Markings and homologations	CE EAC RoHS

GENERAL TECHNICAL SPECIFICATIONS

Ambient temperature	Operational -20°C/+50°C
IP protection degree	IP 67
	IP 68
Materials	Lens: Polycarbonate Glass, Tempered Glass
	Housing: Metal
LED module type	Power LED
LED life duration	50,000 hrs
Light colours	Red, blue, white
Light modes	Steady, Steady Point Light, Steady Line Light
Voltage options	24 V AC/DC
	10-30 V DC
	10-48 V DC
	10-60 V DC
Mounting types	10-80 V DC
	Machinery, Forklift, Crane Mount
Protection	Resistant to water, dust, heat and UV rays
Warranty	2 Years

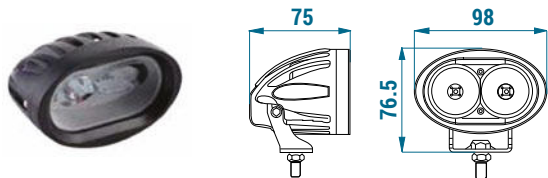
STANDARD CODES AND OVERALL DIMENSIONS (mm)


10W Forklift Safety Lights TERMSF01 series



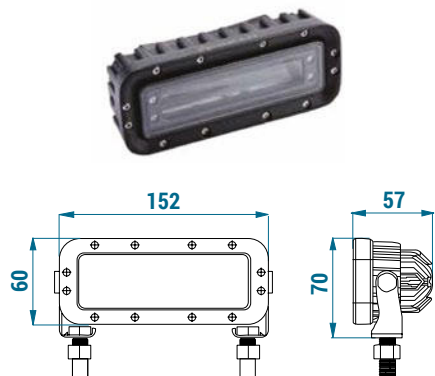
Code	Light colour	Light shape	Protection Rate	Power supply
TERMSF0100	Red	Point ●	IP 67	10-60 V DC
TERMSF0101	Blue	Point ●	IP 67	10-48 V DC


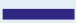
10W Forklift Safety Lights TERMSF02 series



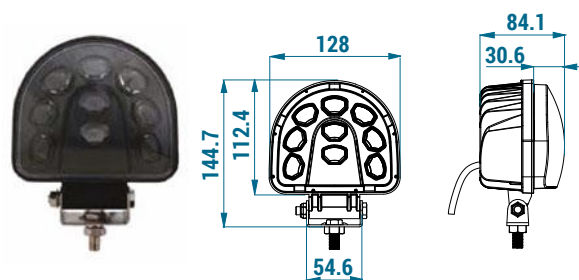
Code	Light colour	Light shape	Protection Rate	Power supply
TERMSF0200	Red	Line 	IP 67	10-48 V DC



18W Forklift Safety Lights



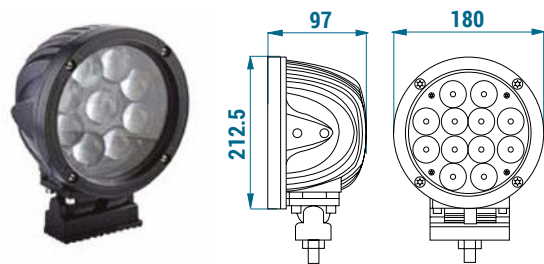
Code	Light colour	Light shape	Protection Rate	Power supply
TERMSF0300	Red	Line 	IP 67	10-80 V DC
TERMSF0301	Blue	Line 	IP 67	10-80 V DC



27W Forklift Safety Lights



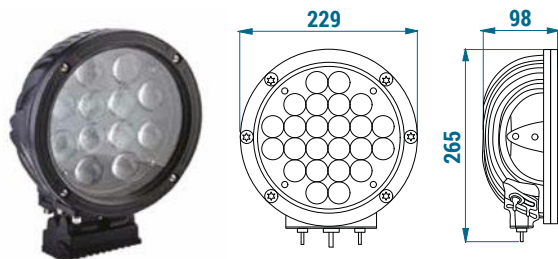
Code	Light colour	Light shape	Protection Rate	Power supply
TERMSF0400	Red	U-Shape 	IP 67	10-80 V DC
TERMSF0401	Blue	U-Shape 	IP 67	10-80 V DC


45W Crane Safety Lights



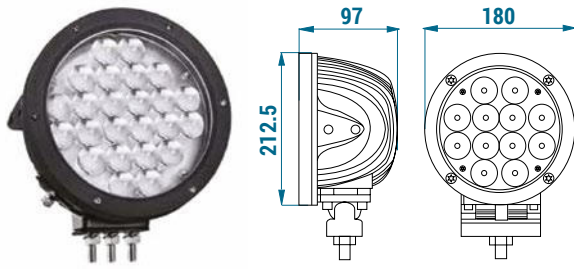
Code	Light colour	Light shape	Protection Rate	Power supply
TERMSF0500	Red	Point 	IP 68	10-48 V DC
TERMSF0501	Blue	Point 	IP 68	10-48 V DC

60W Crane Safety Lights



Code	Light colour	Light shape	Protection Rate	Power supply
TERMSF0600	Red	Point 	IP 68	10-30 V DC
TERMSF0601	Blue	Point 	IP 68	10-30 V DC

120W Crane Safety Lights



Code	Light colour	Light shape	Protection Rate	Power supply
TERMSF0700	Red	Point ●	IP 68	10-30 V DC
TERMSF0701	Blue	Point ●	IP 68	10-30 V DC

MACHINE TOOL LIGHTS

Machine lights for localized lighting of the inside of the machine. Suitable to be mounted on carving, spark and CNC machines, workbenches, laser and ceramic machinery, medical and automatic equipment.



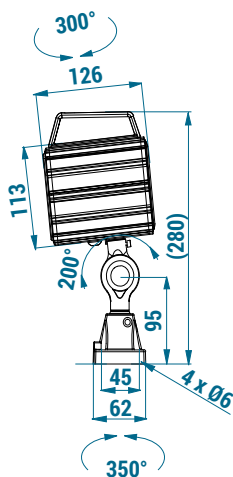
CERTIFICATIONS

Conformity to Community Directives	2014/35/UE Low Voltage Directive
Conformity to CE Standards	EN 60598-1 Luminaires - General requirements and tests
	EN 60529-1 Degrees of protection provided by enclosures
Markings and homologations	CE ENEC RoHS

GENERAL TECHNICAL SPECIFICATIONS

Ambient temperature	Operational -20°C/+50°C
IP protection degree	IP 67
Materials	Lens: Tempered Glass
	Housing: Aluminum
LED module type	Power LED
LED life duration	100,000 hrs
Light colours	White
Voltage options	24 V AC/DC
Power	10 W
Mounting types	Machinery
Protection	Resistant to water, dust, heat and UV rays
Warranty	2 Years

STANDARD CODES AND OVERALL DIMENSIONS (mm)



Code	Light colour	Light shape	Protection Rate	Power supply
TERMMT0100	Red	Point ○	IP 67	24 V AC/DC

MOTOR SIRENS

Motor sirens featuring powerful low-frequency sound, designed to effectively alert large areas by an immediately recognizable sound.

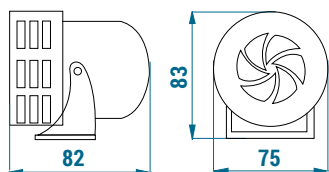


CERTIFICATIONS

Conformity to Community Directives	2014/35/UE Low Voltage Directive
Conformity to CE Standards	EN 60598-1 Luminaires - General requirements and tests
	EN 60529-1 Degrees of protection provided by enclosures
Markings and homologations	CE

STANDARD CODES AND OVERALL DIMENSIONS (mm)

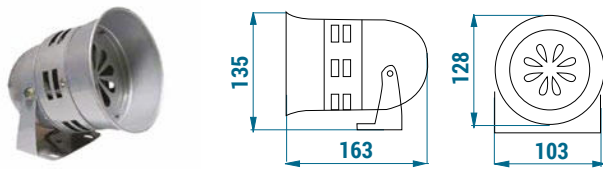
Motor Sirens TERMMS01 series



Ambient temperature	Operational -5°C/+40°C
IP protection degree	IP 44
Housing material	Metal
Volume	108 dB
Frequency	50/60 Hz
Cycle	1000 giri/min.
Max. duration of use	3 min.

Code	Power supply	Power output	Current
TERMMS0100	24 V DC	40 W	2.5 A
TERMMS0101	220 V AC	40 W	0.5 A

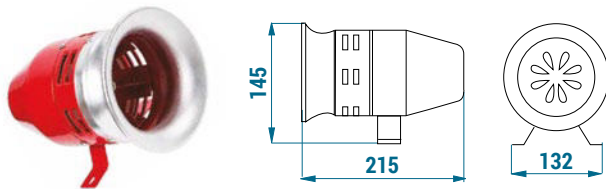
Motor Sirens TERMMS02 series



Ambient temperature	Operational -5°C/+40°C
IP protection degree	IP 44
Housing material	Metal - plastic
Volume	112 dB
Frequency	50/60 Hz
Cycle	5000 giri/min.
Max. duration of use	3 min.

Code	Power supply	Power output	Current
TERMMS0200	24 V DC	40 W	3 A
TERMMS0201	220 V AC	40 W	0.8 A

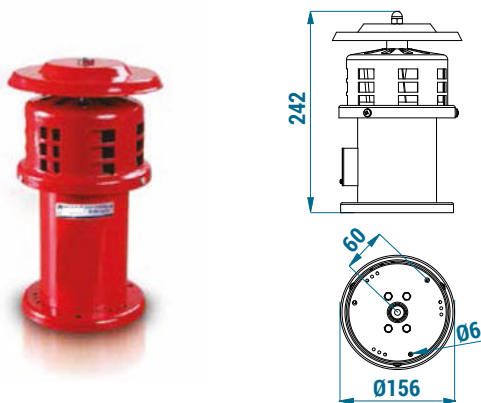
Motor Sirens TERMMS03 series



Ambient temperature	Operational -5°C/+40°C
IP protection degree	IP 44
Housing material	Metal
Volume	130 dB
Frequency	50/60 Hz
Cycle	10000 giri/min.
Max. duration of use	3 min.

Code	Power supply	Power output	Current
TERMMS0300	24 V DC	65 W	3 A
TERMMS0301	220 V AC	65 W	0.65 A

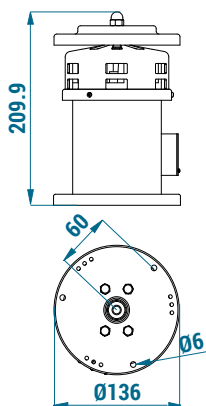
Motor Sirens TERMMS04 series



Ambient temperature	Operational -5°C/+40°C
IP protection degree	IP 40
Housing material	Metal
Volume	105 dB
Frequency	50 Hz
Cycle	16000 giri/min.
Max. duration of use	3 min.

Code	Power supply	Power output	Current
TERMMS0400	220 V AC	250 W	1.25 A

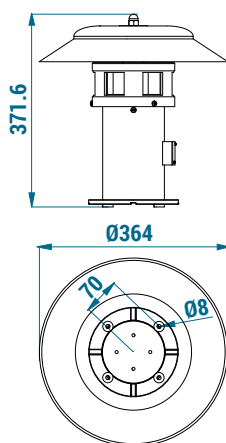
Motor Sirens TERMMS05 series



Ambient temperature	Operational -5°C/+40°C
IP protection degree	IP 40
Housing material	Metal
Volume	110 dB
Frequency	50 Hz
Cycle	12000 giri/min.
Max. duration of use	3 min.

Code	Power supply	Power output	Current
TERMMS0500	220 V AC	300 W	1.5 A

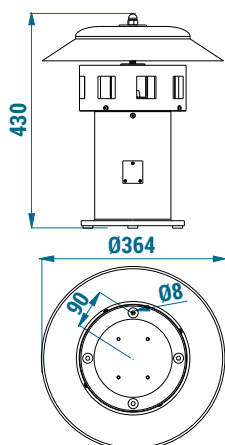
Motor Sirens TERMMS06 series



Ambient temperature	Operational -5°C/+40°C
IP protection degree	IP 44
Housing material	Metal
Volume	115 dB
Frequency	50 Hz
Cycle	8000 giri/min.
Max. duration of use	3 min.

Code	Power supply	Power output	Current
TERMMS0600	220 V AC	350 W	1.7 A

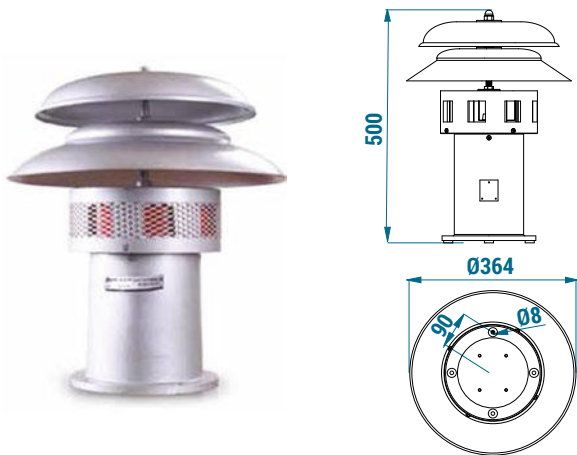
Motor Sirens TERMMS07 series



Ambient temperature	Operational -5°C/+40°C
IP protection degree	IP 44
Housing material	Metal
Volume	120 dB
Frequency	50 Hz
Cycle	6000 giri/min.
Max. duration of use	3 min.

Code	Power supply	Power output	Current
TERMMS0700	220 V AC	300 W	1.7 A

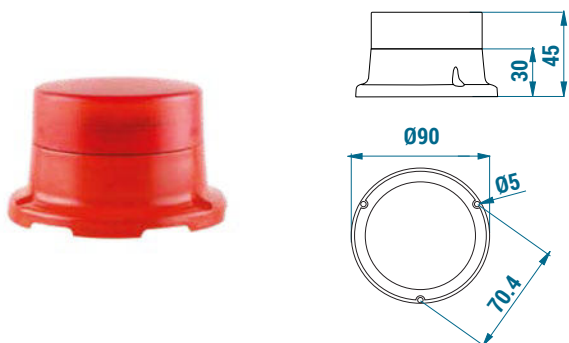
Motor Sirens TERMMS08 series



Ambient temperature	Operational -5°C/+40°C
IP protection degree	IP 44
Housing material	Metal
Volume	130 dB
Frequency	50 Hz
Cycle	4500 giri/min.
Max. duration of use	3 min.

Code	Power supply	Power output	Current
TERMMS0800	220 V AC	350 W	1.8 A

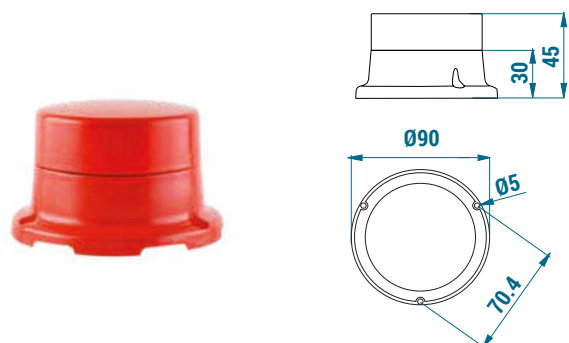
LED Warning Sirens



IP protection degree	IP 65
Housing material	ABS/PC
Volume	100 dB
Light mode	Flashing

Code	Power supply	Current
TERMMS0900	220 V AC	95 mA
TERMMS0901	24 V DC	150 mA

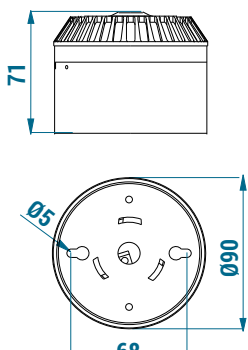
Warning Sirens



IP protection degree	IP 65
Housing material	ABS
Volume	91 dB

Code	Power supply	Current
TERMMS1000	220 V AC	95 mA
TERMMS1001	24 V DC	150 mA

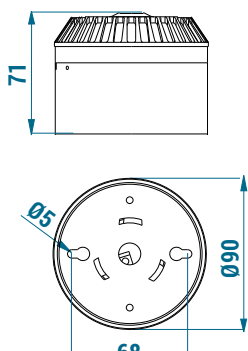
LED Fire Alarm Sirens



IP protection degree	IP 21
Housing material	ABS
Volume	90-100 dB
Light mode	Flashing

Code	Power supply	Power	Current
TERMMS1100	220 V AC	/	98 mA
TERMMS1101	24 V DC	0.96 W	40 mA

Fire Alarm Sirens



IP protection degree	IP 21
Housing material	ABS
Volume	90-100 dB

Code	Power supply	Power	Current
TERMMS1200	220 V AC	/	50 mA
TERMMS1201	24 V DC	0.48 W	20 mA

